

FEDDERS

Room air conditioners for double hung windows

Acondicionadores de aire para ventanas de guillotina

Climatiseurs – Installation dans une fenêtre à guillotine

ENGLISH	
Important Safety Instructions	2
Installation	
Window installation	3
Operation	
Electronic controls	5
Cleaning the air filter	7
Service/Troubleshooting	7
Warranty	8

ESPAÑOL	
Instrucciones importantes de seguridad	9
Instalación	
Instalación en la ventana	10
Funcionamiento	
Controles electronicos	12
Limpieza del filtro del aire	14
Servicio/Localización y Solución de averías	14
Garantía	15

FRANÇAIS	
Directives de sécurité important	16
Installation	
Installation dans une fenêtre	17
Utilisation	
Commandes électronique	18
Nettoyage du filtre à air	20
Dépannage/Guide de diagnostic	20
Garantie	21

For Future Reference

Write down the model and serial numbers

The model and serial numbers can be found on the side of the cabinet near the control panel. Use these numbers in any correspondence or service calls concerning your air conditioner.

Para referencia futura

Escriba el número de modelo y de serie

El número de modelo y de serie se encuentran en el costado del gabinete cerca del panel de control. Use estos números en toda la correspondencia o llamadas de servicio relacionadas con su acondicionador de aire.

Pour consultation ultérieure

Inscrivez les numéros de modèle et de série

Noter ci-contre les numéros de modèle et de série (on les trouve sur le côté de la grille décorative avant, près du tableau de commande). Communiquer ces numéros lors de toute correspondance ou appel au service après-vente ayant trait au climatiseur.

Model No., No. de Modelo, N° de modèle

Serial No., No. de Serie, N° de série

Date of Purchase, Fecha de Compra, Date d'achat

Power Cord with Arc Detection Device

The power cord supplied with this air conditioner is equipped with an Arc Detection Device designed to shut off power to the unit when it senses an arc fault condition. An arc fault is an unintentional electrical discharge that occurs when electrical products or wires are damaged, aged, or improperly used. An arc fault can be potentially hazardous if left undetected.

⚠ WARNING ⚠

- **Do not** remove or modify this plug
- **Do not** use as an on/off switch
- **Do not** use outdoors
- **Do not** push furniture against or place furniture on the electrical cord. This can trip the test switch and/or damage the cord and become a potential condition for arcing
- Do not attempt to repair the cord. If the cord requires replacement, call an authorized servicer.
- The Arc Detection Device is not a Ground Fault Interrupter and should not be used as such
- The Arc Detection Device contains an electronic circuit board and should not be submerged or exposed to water spray

Resetting

If the Arc Detection Device has tripped, the reset button will pop up.

Follow these steps to reset the Arc Detection Device:

1. Unplug unit from electrical outlet
2. Press the reset button
3. Plug the unit back into electrical outlet
4. Check to see if power has returned to the unit

Testing

You should test the Arc Detection Device equipped power cord monthly, after every major electrical storm, or if power to your Room Air Conditioner has been interrupted.

Follow these steps to test the Arc Detection Device:

1. Unplug unit from electrical outlet
2. Press the reset button
3. Plug the unit back into electrical outlet
4. Press test button. Unit should trip and reset button will pop up.
5. Press reset button again for use

If above test fails, stop using the air conditioner and contact customer service by calling the following toll-free number:

1-800-332-6658

or email: customerservice@fedders.com

⚠ Warning ⚠

Electrical Shock Hazard

- Plug unit **only** into a grounded electrical outlet.
- **Do not** use an extension cord or plug adapter with this unit.
- **Do not** operate unit with decorative front or filter removed.
- **Failure to follow these precautions could result in electrical shock, fire or personal injury.**
- **If the air conditioner has a serial plate rating of 115 volts and greater than 7.5 amps, it must have its own fuse or circuit breaker, and no other device or unit should be operated on that fuse or circuit breaker.**
- **If the air conditioner has a serial plate rating of 230 volts, it must have its own fuse or circuit breaker, and no other device or unit should be operated on that fuse or circuit breaker.**
- We recommend that a qualified electrician install unit in accordance with the National Electrical Code and local codes and ordinances.
- Use copper conductors of correct wire gauge and protector size only.
- Do not alter cord or plug end. Do not remove warning label on cord.

Important Grounding Requirements

- Air conditioner has a three-prong grounding plug on the power supply cord, which must be plugged into a properly grounded three-prong wall receptacle for your protection against possible shock hazard. For models up to and including 7.5 amperes, use a grounding type wall receptacle to match the cord plug.
- For models above 7.5 amperes use a single outlet grounding type wall receptacle to match the cord plug.

⚠ Warning ⚠

Do not operate this air conditioner without proper time delay circuit protection (circuit breaker or fuse). Refer to serial plate for proper power supply requirements.

Recommended Wire Sizes (As installed per building code) :

PROTECTOR SIZE WIRE GAUGE

15 AMP #14 MINIMUM

20 AMP #12 MINIMUM

30 AMP #10 MINIMUM



125V
15A



250V
20A



250V
15A



250V
30A

Additional Safety Precautions

- **Do not** cut, alter or remove any of the expanded polystyrene (styrofoam) inside this air conditioner.
- **Do not** store or use gasoline or other flammable vapors and liquids in the vicinity of this or any other appliance. The fumes can create a fire hazard or explosion.
- **Do not** introduce objects in the air discharge area. This could cause permanent damage.
- **Do not** pour liquids on the air conditioner as this could cause a malfunction. With the unit unplugged, use a damp cloth for cleaning the unit.
- **Do not** use strong solvents to clean the air conditioner.
- Clean the air conditioner filter every two weeks to avoid overheating caused by air obstruction. Do not operate without filter.
- **Do not** obstruct the air intake area of your air conditioner, as this could cause overheating, thus activating the unit's security switch and shutting off the unit.
- **Do not** block air circulation to outside louvers of cabinet.
- **Do not** block air flow inside with blinds, curtains, or furniture, or outside with shrubs, enclosures, or other buildings.
- **Do not** run the air conditioner with an outside protective cover in place. This could result in fire or mechanical damage within the air conditioner.
- Depending on the model, your air conditioner may weigh as much as 95 pounds. To insure safe handling, obtain the necessary help to lift and position the unit during installation and removal.
- Handle air conditioner with care. Wear protective gloves whenever lifting or carrying the unit.
- Carefully inspect the location where the air conditioner will be installed. Be sure it will support the weight of the unit over an extended period of time.

Tools Needed

- **Screwdrivers** 
- **Ruler**  **or**
tape measure
- **Level** 
- **Pencil** 

Window Requirements

1. Air conditioner is factory prepared for installation in standard double hung window (air conditioner cannot be installed in other types of windows without modification, consult with a qualified installation serviceman).
2. Install the air conditioner in a window where there will be enough clearance around the cabinet to allow ample circulation of air through the unit.
3. All supporting parts should be secured to firm wood, masonry or metal.

Unit & Window Size

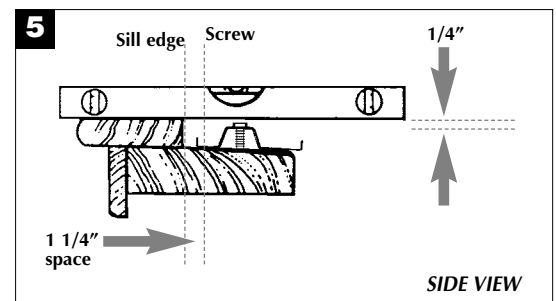
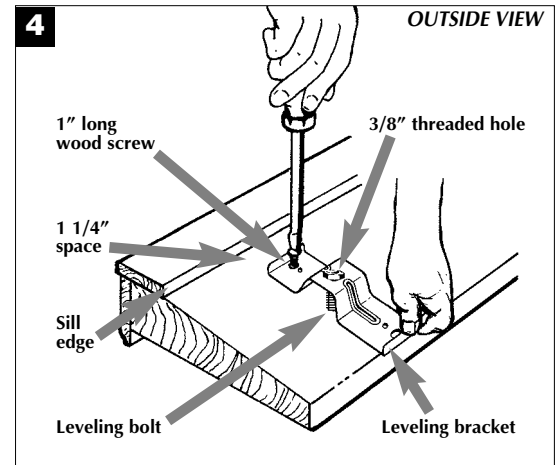
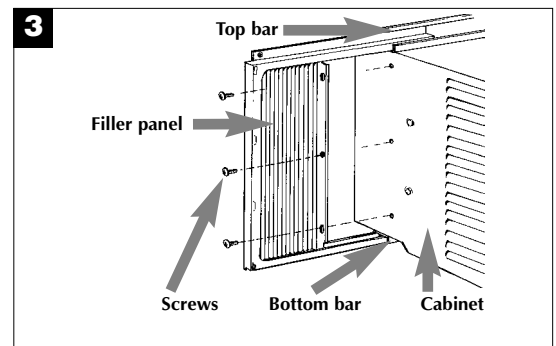
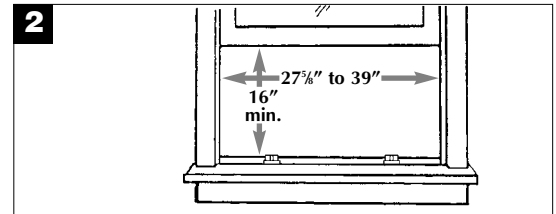
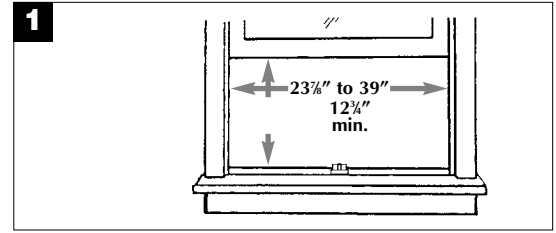
1. If your air conditioner cabinet is 20" wide, it will fit window openings 23 7/8" to 39" in width. Minimum opening height is 12 3/4" from bottom of sash to sill. Removal of both filler panels permits installation in windows with a minimum opening width of 20 1/4". This size unit requires one leveling bracket (**Fig. 1**).
2. If your air conditioner cabinet is 23 3/4" wide, it will fit window openings 27 5/8" to 39" in width. Minimum opening height is 16" from bottom of sash to sill. Removal of both filler panels permits installation in windows with a minimum opening width of 24". This size unit requires two leveling brackets (**Fig. 2**).

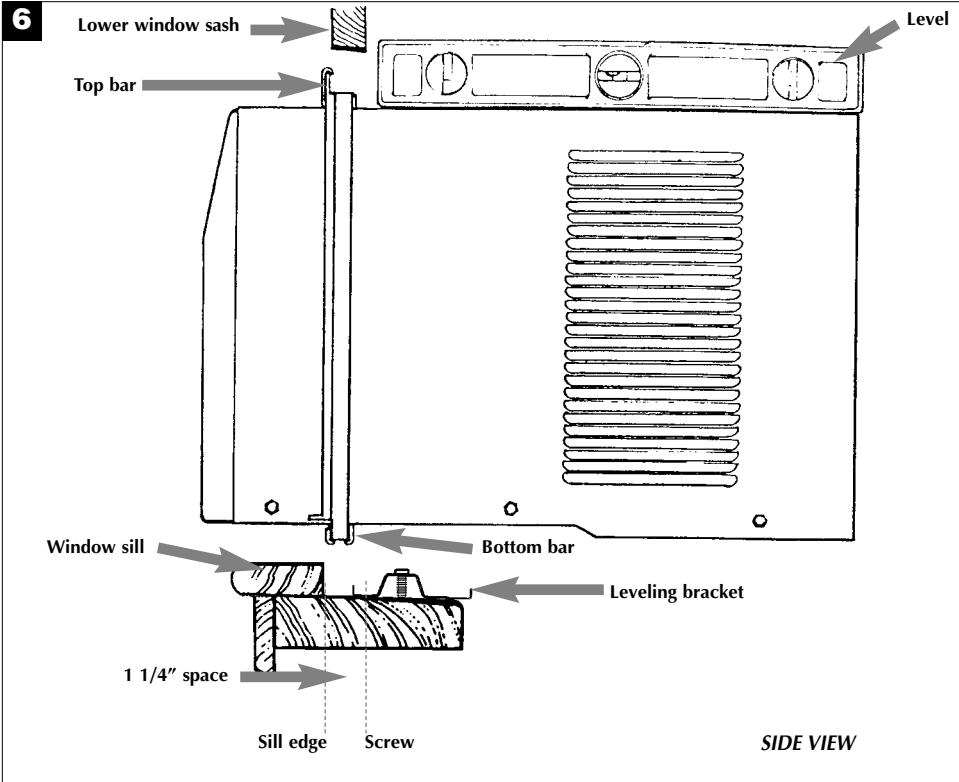
Attach Filler Panels *On some models...*

1. Attach filler panels to the existing holes in the cabinet using the supplied screws (**Fig. 3**).

Installation in Normal Width Window

1. Open and mark center line of window. Depending on the size of your unit, attach one leveling bracket on the center line of the window or one 8" to the right and one 8" to the left of the center line. Brackets may be attached to window sill in either direction for maximum support, depending on the depth of the window sill.
2. Mark line 1 1/4" from edge of window sill and fasten leveling bracket with 1" long wood screws at mark through larger holes in bracket (**Fig. 4**).
3. Screw leveling bolt in 3/8" threaded hole of leveling bracket and adjust so bolt is 1/4" below top of window sill (**Fig. 5**).
4. Repeat steps 2 and 3 for second leveling bracket, if required.



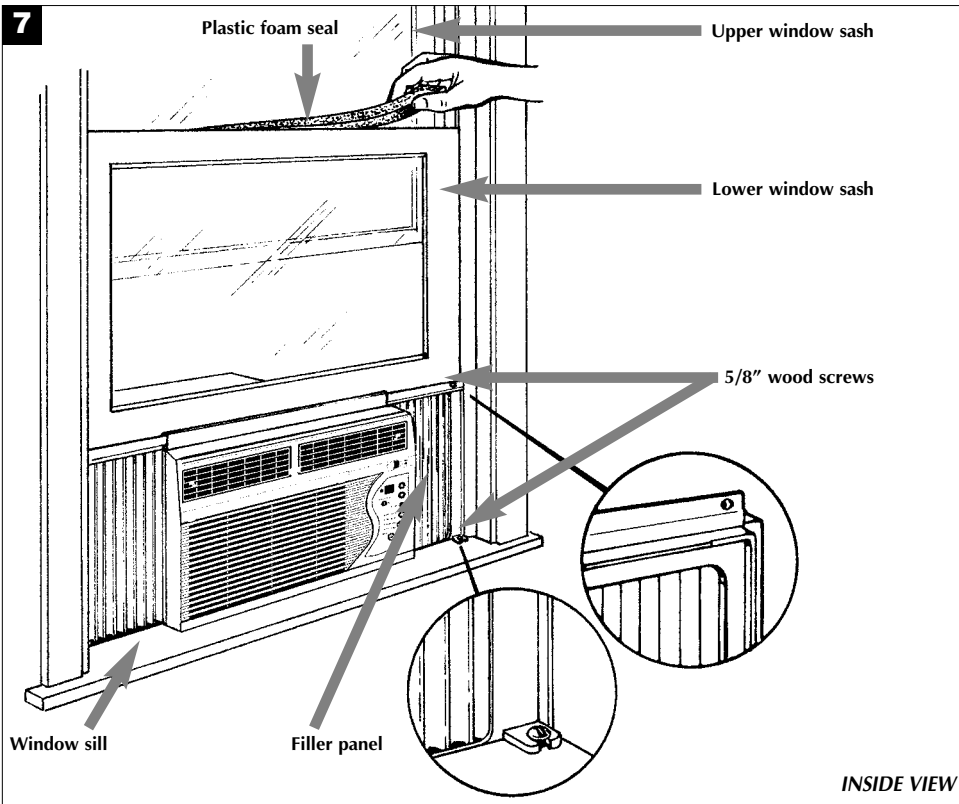


5. Keeping a firm grip on air conditioner, carefully center air conditioner in window opening with the bottom bar sitting behind window sill. Be sure cabinet maintains an outward pitch. Air conditioner should slant slightly downward on the outside as shown by half a bubble off on a carpenter's level. This outward pitch prevents water from entering the room (Fig. 6).
6. Close window until it touches behind air conditioner top bar. Slide filler panels outward until they touch window sash tracks. (Do not release grip on air conditioner until lower window sash is in final position) (Fig. 7).
7. Secure top of filler panels by driving 5/8" long wood screws through top mounting holes into window sash (Fig. 7).
8. Secure bottom of filler panels by driving 5/8" long screws into window sill through filler panel tabs (Fig. 7).
9. Cut plastic foam seal to width of window and install between upper and lower window sash (Fig. 7).
10. Use sealant to fill any minor openings.

Installation in Minimum Width Window

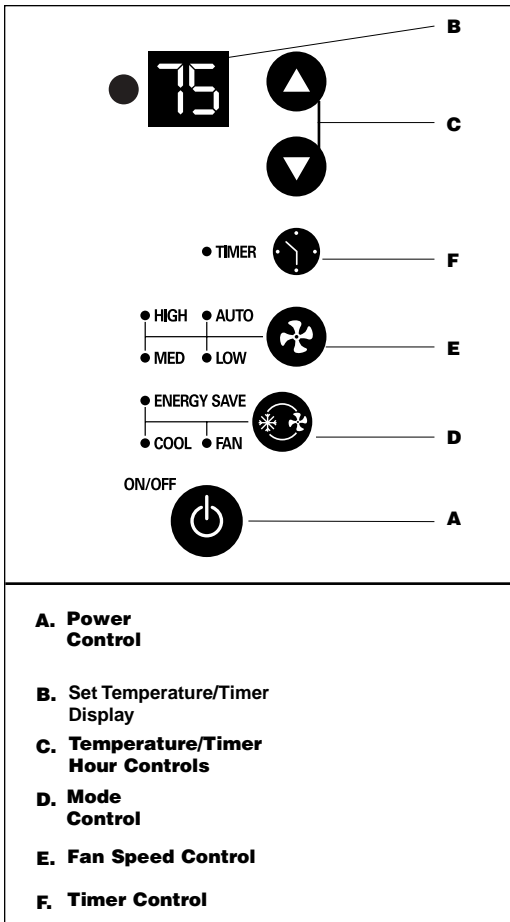
1. Remove both filler panels from air conditioner cabinet (Fig. 3).
2. Refer to steps 1 through 7 of preceding instructions (Pgs. 4 & 5).
3. Close window until it touches behind air conditioner top bar (Fig. 6).
4. Fasten lower window sash to window frame (use finishing nails, wood screws, or "L" brackets) (Fig. 7).
5. If filler is required on sides of air conditioner, cut plastic foam seal to size and fill both sides.
6. Cut plastic foam seal to width of window and install between upper and lower window sash (Fig. 7).
7. Use sealant to fill any minor openings.

Consult your authorized dealer or importer for alternative installation instructions.



CAUTION

Do not drill a hole in bottom pan. Unit is designed to operate with approximately 1/2" of water in bottom pan.



Built-in three minute timing delay.

If this electronic unit will not respond to touch pad or remote control commands, it is necessary to unplug the unit from the electrical outlet for five seconds and then plug the unit back in.

Auto restart feature:

In the event of a power failure, this feature allows the unit to resume operation once power has been restored, retaining the most recent settings. Upon restoration of power, the timer mode may need to be reset if being utilized.



CAUTION



Heat/Cool models or units with electric heat are designed to be used only as a supplemental heat source. They should be used in addition to regular heating systems and never as the primary source of heat.

Power Control

The Power Control turns the unit on and off.

Set Temperature/Timer Display

Shows the set temperature when the unit is in operation and hours when the timer is being set. *THE TEMPERATURE DISPLAY ONLY SHOWS THE SET TEMPERATURE, NOT THE ACTUAL ROOM TEMPERATURE.*

Temperature/Timer Hour Controls

These buttons are used to raise or lower the set temperature in increments of 1° from 66°F to 88°F. By depressing both buttons at once, the display will toggle between Celsius and Fahrenheit. When the timer is being set, these buttons are used to change the hour setting in increments of 1 from 00 to 24.

Check Filter Light/Reset (some models)

After 250 hours of usage the Check Filter light will turn on. At this time, the filter needs to be removed and cleaned (see page 8). After the filter is cleaned and repositioned, depress the Reset button. This will restart the counter and turn the light off.

Mode Control

A green light will indicate which mode is currently being utilized.

Cool Mode – The unit will circulate and cool the air.

Heat Mode (Heat Models Only)– The unit will circulate and heat the air.

Heater Safety Feature- When heater is powered off, low fan will automatically stay on and run for 60 seconds to ensure the removal of residual heat, meanwhile, the Low Fan LED blinks until the low fan stops.

Fan Mode – The unit will only circulate the air.

Energy Saver Mode –

(The energy saver mode is designed to operate with Cool mode only)

The fan will switch from the set fan speed to LO whenever the compressor turns off in response to the thermostat. When the compressor cycles back on, the unit will return to the original fan setting.

Fan Speed Control

High, Medium*, Low and Auto

The settings are adjusted with the Fan Speed Control, each time the button is depressed it changes the setting. A green light will indicate which setting is currently being used.

When the AUTO feature is selected while the air conditioner is in the COOL or HEAT mode, the fan speeds will change automatically as the temperature in the room changes.

COOL Mode

- 7° or more above the set temperature will use HI FAN.
- 4° or less above the set temperature will use LO FAN.

HEAT Mode (Heat models only)

- 9° or more below the set temperature will use HI FAN.
- 4° or less below the set temperature will use LO FAN.

*MEDIUM FAN NOT available on HEAT models.

Timer Control

The timer can be set to either turn the unit on or off.

To turn the unit on using the Timer:

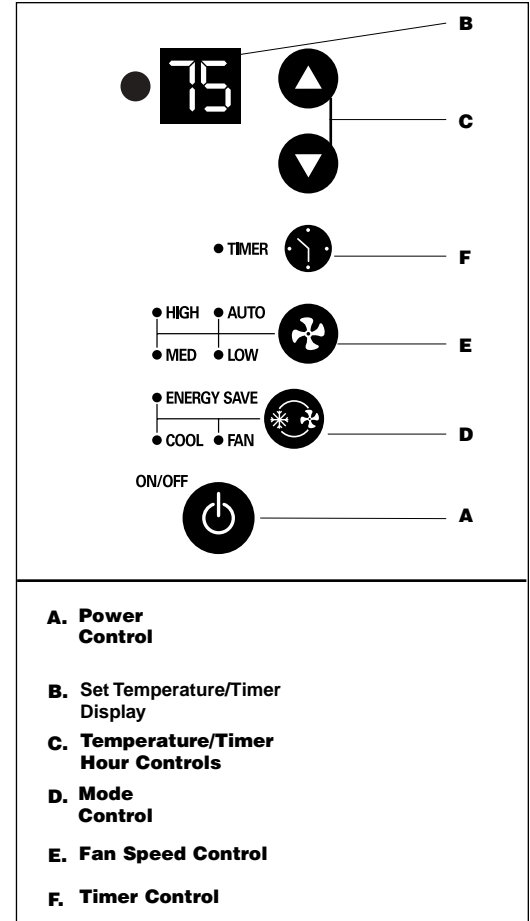
Depress the timer key when the power is off, the display will read 00. Adjust to the desired number of hours before TURN ON using the up/down arrows.

- The display will show the time by hours left until TURN ON.
- To turn the timer off, depress the timer key.
- A green light next to the Timer Control indicates that the timer is set.

To turn the unit OFF using the Timer:

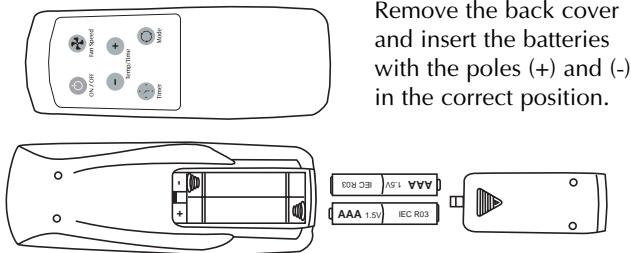
Depress the timer key when the power is on, the display will read 00. Adjust to the desired number of hours before TURN OFF using the up/down arrows. The display will automatically go back to the set temperature after 10 seconds.

- To display the amount of time left until TURN OFF, depress the timer button once.
- To turn the TIMER OFF, depress the timer button twice.
- A green light next to the Timer Control indicates that the timer is set.



Air Conditioner Remote Control

The functions work the same as your air conditioner's touch controls.



CAUTION

- Use only AAA or IEC R03 1.5V batteries.
- Remove the batteries if the remote controller is not used for a month or longer.
- Do not attempt to recharge the supplied batteries
- All batteries should be replaced at the same time.
- Do not dispose of the batteries in a fire as they may explode.
- Do not mix old and new batteries.
- Do not mix alkaline, standard (carbon - zinc), or rechargeable (nickel-cadmium) batteries.
- Do not install the batteries with the polarity (+/-) reversed.
- Keep batteries and other things that could be swallowed away from young children. Contact a doctor immediately if an object is swallowed.

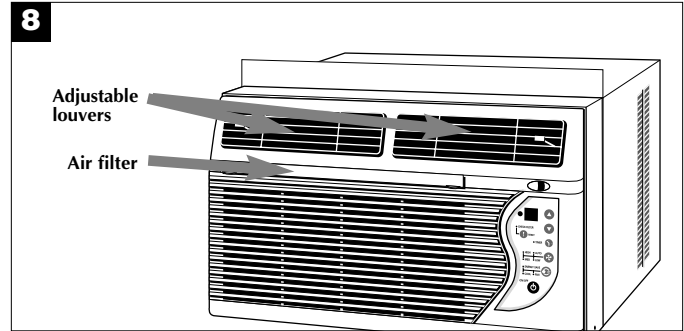
Directing Airflow

Unit is engineered with adjustable louvers to direct discharge airflow. Louvers are manually adjusted by moving levers in direction of desired airflow (*Fig. 8*).

Cleaning Air Filter

Clean the filter every two weeks

1. Turn unit OFF.
2. Remove the air filter by grasping the top corners and pulling it up and out of the unit (*Fig. 8*).
3. Wash in hot soapy water, rinse and shake dry.
4. Replace the filter, with the front of the filter toward you.
5. To dry the filter thoroughly, run your unit for a few minutes. Remember, only a clean filter works properly and delivers top performance.



Proper use and care of your air conditioner will help ensure longer life of the unit. It is recommended to annually inspect and clean the coils and condensate water passages. Expense of annual inspection is the consumers' responsibility.

CAUTION

Failure to keep air filter clean will result in poor air circulation. DO NOT operate without filter. This can render the unit inoperative.

CAUTION

Before cleaning or servicing this unit, it is recommended that the unit be disconnected from any electrical supply outlet.

Troubleshooting Guide

Occurrence	Possible Cause	Solutions
Air conditioner will not operate	<ul style="list-style-type: none"> • Wall plug disconnected. • House fuse blown or circuit breaker tripped. • Power control in OFF position. • Unit accidentally turned off by moving the thermostat to a higher temperature and then immediately turned back to a colder position. • Unit turned off and then on too quickly. • Thermostat set too low for cooling. 	<ul style="list-style-type: none"> ✓ Push plug firmly into wall outlet. ✓ Replace fuse with time delay type or reset circuit breaker. ✓ Turn power control to ON. ✓ Wait approximately 3 minutes. Listen for the compressor to start. ✓ If air conditioner is turned off, wait 3 minutes before restarting. ✓ Adjust thermostat to higher setting for cooling.
Air from unit does not feel cold enough	<ul style="list-style-type: none"> • Selector in fan position. • Thermostat set too warm. • Room temperature below 70°F. 	<ul style="list-style-type: none"> ✓ Set mode to cool position. ✓ Set thermostat to colder temperature. ✓ Cooling may not occur until room temperature rises above 70°F.
Air conditioner cooling, but room is too warm — ice forming on cooling coil behind decorative front	<ul style="list-style-type: none"> • Outdoor temperature below 70°F. • Dirty air filter — air restricted. • Thermostat set too cold for nighttime cooling. 	<ul style="list-style-type: none"> ✓ To defrost the coil, set selector to FAN position. Then, set thermostat to warmer position. ✓ Clean filter. See "Cleaning the Air Filter" section. To defrost, set selector to FAN. ✓ To defrost the coil, set selector to FAN position.
Air conditioner cooling, but room too warm — NO ice forming on cooling coil behind decorative front	<ul style="list-style-type: none"> • Dirty air filter — air restricted. • Thermostat set too warm. • Fan selector set on LOW. 	<ul style="list-style-type: none"> ✓ Clean air filter. Refer to "Cleaning the air filter" section (above). ✓ Set thermostat to colder setting. ✓ Set fan speed selector to HIGH for maximum cooling.
Noise when unit is cooling	<ul style="list-style-type: none"> • Air movement sound. • Sound of fan hitting water-moisture removal system. • Window vibration — poor installation. 	<ul style="list-style-type: none"> ✓ The sound of rushing air is normal. If too loud, turn selector to lower fan setting. ✓ This is normal when humidity is high. Close doors, windows and registers. ✓ Refer to installation instructions — check with installer.
Water dripping inside when unit is cooling	<ul style="list-style-type: none"> • Improper installation. 	<ul style="list-style-type: none"> ✓ Tilt air conditioner slightly to the outside to allow water drainage. Refer to installation instructions — check with installer.
Water dripping outside when unit is cooling	<ul style="list-style-type: none"> • Unit removing large quantity of moisture from humid room. 	<ul style="list-style-type: none"> ✓ This is normal during excessively humid days.

How to Obtain Warranty Service or Parts

Note: Before calling for service, carefully read this Installation and Operations manual.

For Models Installed in North America :

First make the recommended checks in the Troubleshooting guide. Then, if you still need assistance:

1. Call a CareCo authorized servicer and advise them of model number, serial number, date of purchase and nature of complaint. Service will be provided during normal working hours. Contact your dealer for the name of an authorized servicer, if unknown to you.
2. If your dealer is unable to give you the name of a servicer or if you need other assistance, contact CareCo for the name of an authorized servicer.

You may contact CareCo by email:

customerservice@fedders.com

by calling the following toll-free number:

1-800-332-6658

or you may write:

**CareCo, Service Department
415 W. Wabash Ave., P.O. Box 200
Effingham, IL 62401**

For Models Installed Outside North America :

For room air conditioners purchased for use outside North America, the manufacturer does not extend any warranty either expressed or implied. Consult your local dealer for any warranty terms extended by the importer in your country.

Proof of Purchase Date

It is the responsibility of the consumer to establish the original purchase date for warranty purposes. We recommend that a bill of sale, cancelled check, or some other appropriate payment record be kept for that purpose.

Room Air Conditioner Warranty

(Within the 48 contiguous United States, state of Hawaii, the District of Columbia, Puerto Rico, Mexico and Canada)

Full (Five Year) Parts and Labor Warranty

During the five years after the date of original purchase, Fedders will, through its authorized servicers and free of charge to the owner or any subsequent user, repair or replace any parts which are defective in material or workmanship due to normal use. Ready access to the air conditioner is the responsibility of the owner.

Note: In the event of any required parts replacement within the period of this warranty, Fedders replacement parts shall be used and will be warranted only for the period remaining on the original warranty.

Exceptions

The above warranty does not cover failure to function caused by damage to the unit while in your possession (other than damage caused by defect or malfunction), or by its improper installation, or by unreasonable use of the unit, including without limitation, failure to provide reasonable and necessary maintenance or to follow the written Installation and Operating Instructions. If the unit is put to commercial, business, rental, or other use or application other than for consumer use, we make no warranties, express or implied, including but not limited to, any implied warranty of merchantability or fitness for particular use or purpose.

THE REMEDIES PROVIDED FOR IN THE ABOVE EXPRESS WARRANTY ARE THE SOLE AND EXCLUSIVE REMEDIES THEREFOR, NO OTHER EXPRESS WARRANTIES ARE MADE. ALL IMPLIED WARRANTIES, INCLUDING BUT NOT LIMITED TO ANY IMPLIED WARRANTY OF MERCHANTABILITY OR FITNESS FOR A PARTICULAR USE OR PURPOSE, ARE LIMITED IN DURATION TO FIVE YEARS FROM THE DATE OF ORIGINAL PURCHASE. IN NO EVENT SHALL FEDDERS BE LIABLE FOR INDIRECT, INCIDENTAL, OR CONSEQUENTIAL DAMAGES, EVEN IF ADVISED IN ADVANCE OF THE POSSIBILITY OF SUCH DAMAGES. NO WARRANTIES, EXPRESS OR IMPLIED, ARE MADE TO ANY BUYER UPON RESALE.

Some states do not allow limitations on how long an implied warranty lasts or do not allow the exclusion or limitation of incidental or consequential damages, so the above limitations or exclusions may not apply to you. This warranty gives you specific legal rights, and you may also have other rights which may vary from state to state.

Cordón con dispositivo de detección de arco eléctrico

El cordón eléctrico proporcionado con este acondicionador de aire viene equipado con un dispositivo de detección de arco eléctrico diseñado para apagar el suministro eléctrico a la unidad cuando detecta una condición de falla por arco eléctrico. Una falla por arco eléctrico es una descarga eléctrica accidental cuando los artefactos o cables eléctricos están dañados, son antiguos o no se han usado de manera adecuada. Una falla por arco eléctrico puede ser peligrosa si no se detecta a tiempo.

⚠ ADVERTENCIA ⚠

- **No** retire o modifique este enchufe
- **No** lo utilice como un interruptor de encendido/apagado
- **No** lo use en el exterior
- **No** coloque muebles contra o sobre el cordón eléctrico. Esto puede disparar el interruptor de prueba y/o dañar el cordón, además de crear una condición potencial de arco eléctrico
- **No** intente reparar el cordón. Si necesita reemplazar el cordón, llame a un técnico de servicio autorizado
- El dispositivo de detección de arco eléctrico no es un interruptor de falla de conexión a tierra y no se debe usar como tal
- El dispositivo de detección de arco eléctrico contiene un tablero de circuitos electrónico y no se debe sumergir o exponer al agua

Restablecimiento

Si el dispositivo de detección de arco eléctrico se ha disparado, el botón 'RESET' (Restablecer) se levantará.

Siga los siguientes pasos para restablecer el dispositivo de detección de arco eléctrico:

1. Desenchufe la unidad del tomacorriente
2. Oprima el botón 'RESET' (Restablecer)
3. Enchufe la unidad nuevamente en el tomacorriente
4. Verifique que llega energía eléctrica a la unidad

Pruebas

Realice pruebas del dispositivo de detección de arco eléctrico una vez al mes, después de cada tormenta eléctrica grande, o si se ha interrumpido el suministro eléctrico al acondicionador de aire de habitación.

Siga los siguientes pasos para probar el dispositivo de detección de arco eléctrico:

1. Desenchufe la unidad del tomacorriente
2. Oprima el botón 'RESET' (Restablecer)
3. Enchufe la unidad nuevamente en el tomacorriente
4. Oprima el botón de prueba. El dispositivo debe dispararse y el botón 'RESET' (restablecer) debe levantarse.
5. Oprima el botón 'RESET' (Restablecer) nuevamente para activar la unidad

Si la prueba anterior falla, deje de usar el acondicionador de aire y póngase en contacto con servicio al cliente llamando al siguiente número gratuito: **1-800-332-6658**

o por correo electrónico a:
customerservice@fedders.com

⚠ ADVERTENCIA ⚠

Riesgo de Choque Eléctrico

- Enchufe el aparato **solamente** en un tomacorriente eléctrico puesto a tierra.
- Con este aparato **no use** un cordón de extensión ni un adaptador de enchufe.
- **No** haga funcionar el acondicionador de aire sin el panel delantero.
- **El incumplimiento de estas precauciones pueden causar un choque eléctrico, incendio o lesión personal.**
- Si el acondicionador de aire tiene una potencia nominal indicada en la placa de serie de 115 voltios y de más de 7,5 amperes, es necesario que sea protegido con su propio fusible o disyuntor y ningún otro dispositivo debe usar ese mismo disyuntor o fusible. Si el acondicionador de aire tiene una potencia nominal en la placa de serie de 230 voltios, es necesario que sea protegido con su propio fusible o disyuntor y ningún otro aparato debe usar ese mismo disyuntor o fusible.
- Recomendamos que un electricista calificado instale el acondicionador de aire de acuerdo con el código eléctrico nacional y los códigos y reglamentos locales.
- Use solamente conductores de cobre y fusibles de calibre y capacidad adecuada.
- **No** modifique el cordón ni el enchufe del extremo. **No** retire la etiqueta de advertencia del cordón de alimentación.

Requerimientos Importantes para la Puesta a Tierra

- El cordón de alimentación del acondicionador de aire tiene un enchufe de tres clavijas con puesta a tierra el cual debe ser enchufado en un tomacorriente mural puesto a tierra de tres alvéolos para su protección contra posible riesgo de choque eléctrico. Para los modelos de hasta 7,5 amperes o menos, use un tomacorriente mural del tipo con puesta a tierra que tenga la misma configuración que el enchufe del cordón de alimentación.
- Para los modelos de más de 7,5 amperes, use un tomacorriente mural sencillo con puesta a tierra que tenga la misma configuración que el enchufe del cordón de alimentación.

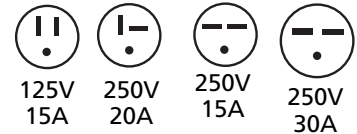
⚠ ADVERTENCIA ⚠

No haga funcionar este acondicionador de aire sin protección adecuada del circuito de retardo. Consulte la placa de serie para los requerimientos apropiados de alimentación eléctrica.

Tamaños Recomendados de los Conductores del Circuito

(Instalados según el código de construcción):

CAPACIDAD DE LOS FUSIBLES	CALIBRE DE LOS CONDUCTORES
15 AMP	#14 COMO MINIMO
20 AMP	#12 COMO MINIMO
30 AMP	#10 COMO MINIMO



Precauciones de Seguridad Adicionales

- **No** corte, modifique ni retire ningún pedazo de poliestireno expandido (espuma blanca) situado dentro de este acondicionador de aire.
- **No** guarde ni use gasolina u otros vapores y líquidos inflamables en la vecindad de este o cualquier otro artefacto. Los vapores emitidos pueden crear un riesgo de incendio o explosión.
- **No** introduzca objetos en el área de descarga del aire. Esto puede causar daño irreparable a su acondicionador de aire.
- **No** vierta líquidos de limpieza en el acondicionador de aire pues esto puede causar un malfuncionamiento. Use un paño húmedo para limpiarlo.
- Evite usar solventes fuertes para limpiar el acondicionador de aire.
- Limpie el filtro del acondicionador de aire cada dos semanas para evitar sobrecalentamiento causado por obstrucción del aire.
- **No** obstruya el área de entrada del aire de su acondicionador, pues esto puede causar sobrecalentamiento, lo cual activará el interruptor de seguridad y apagará el aparato.
- **No** bloquee la circulación del aire hacia las rejillas de ventilación exteriores del gabinete.
- **No** obstruya el flujo del aire hacia el interior con persianas, cortinas o muebles o hacia el exterior con arbustos, recintos u otros edificios.
- **No** haga funcionar el acondicionador de aire teniendo instalada la cubierta protectora exterior. Esto podría resultar en daño mecánico dentro del acondicionador de aire.

Herramientas necesarias



Requisitos de la ventana

1. El acondicionador de aire se prepara en la fábrica para una instalación estándar en ventanas de guillotina (los acondicionadores de aire no pueden instalarse en otros tipos de ventanas sin modificarlas — para hacer esto hay que consultar a un instalador calificado).
2. Instale el aire acondicionado en una ventana con espacio suficiente alrededor del gabinete, esto para permitir que haya bastante circulación del aire a través de la unidad.
3. Todas las piezas de apoyo deberán asegurarse a madera, material de albañilería o metal firme.

• No introduzca objetos dentro de la salida de aire. Esto podría causar daño permanente. • No vierta líquidos dentro de la unidad ya que podría ocasionar un corto circuito. Para limpiar su unidad utilice un trapo húmedo, cuidando no mojar el interior. • No obstruya la entrada de aire de su unidad ya que puede causar un sobrecalentamiento activando así el switch de seguridad provocando así que la unidad se apague. • Limpie frecuentemente el filtro de la unidad para evitar sobrecalentamiento por obstrucción de aire.

Tamaño de la ventana y de la unidad

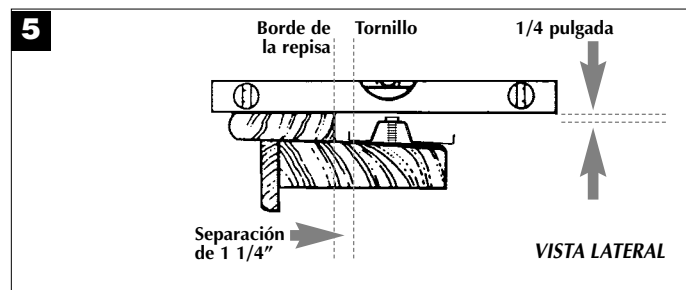
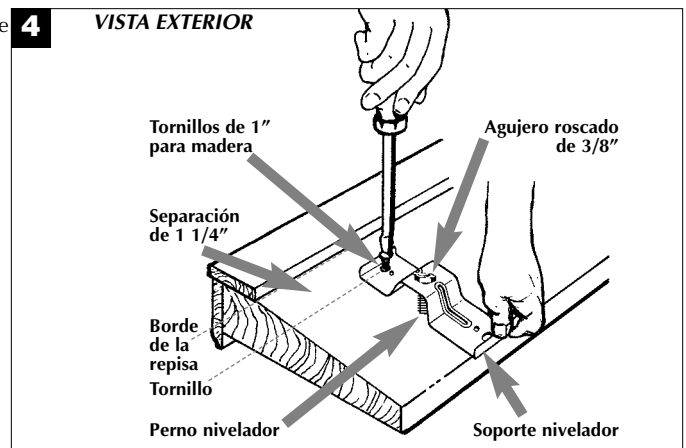
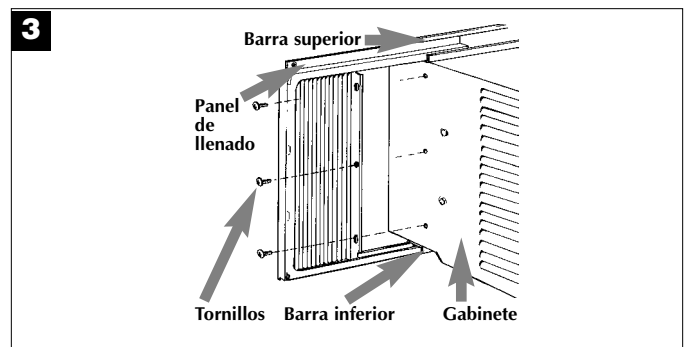
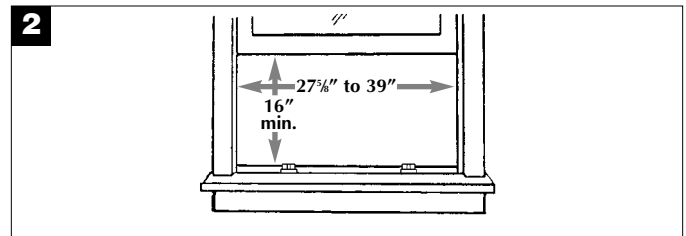
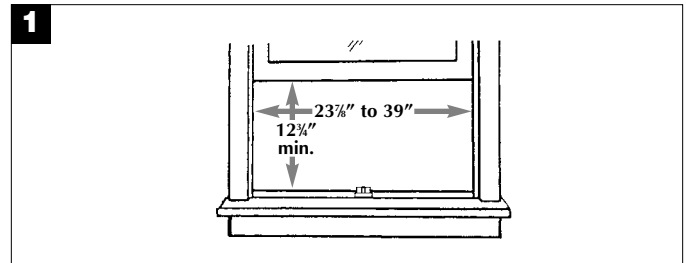
1. Si el gabinete de su aire acondicionado mide 20" de ancho, entonces se ajustará a aberturas de 23 7/8" hasta 39" de ancho. La altura mínima de la abertura es 12 3/4" desde la parte inferior del marco hasta el alféizar. Si la abertura de la ventana donde se va a instalar tiene un ancho mínimo de 20 1/4" quite los paneles de relleno. Las unidades de este tamaño requieren el uso de un soporte nivelador (Fig. 1).
2. Si el gabinete de su aire acondicionado mide 23 3/4" de ancho, entonces se ajustará a aberturas de 27 5/8" hasta 39" de ancho. La altura mínima de la abertura es 16" desde la parte inferior del marco hasta el alféizar. Si la abertura de la ventana donde se va a instalar tiene un ancho mínimo de 24" quite los paneles de relleno. Las unidades de este tamaño requieren el uso de dos soportes niveladores (Fig. 2).

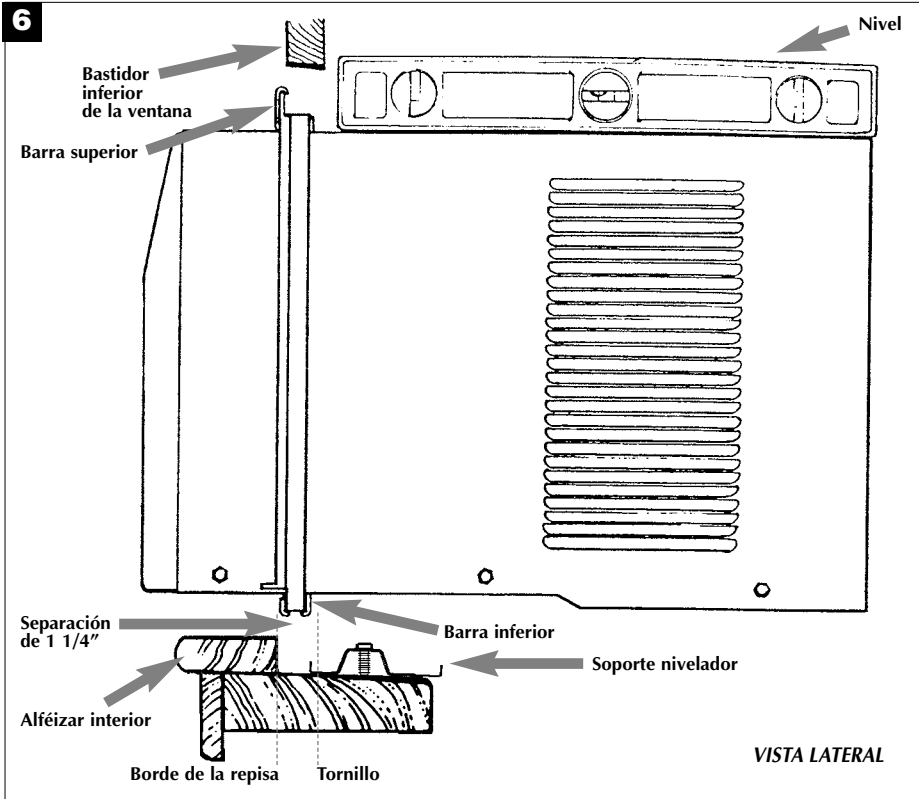
Instale los paneles de llenado En algunos modelos...

1. Conecte los paneles de llenado a los orificios existentes en el gabinete utilizando los tornillos suministrados (Fig. 5).

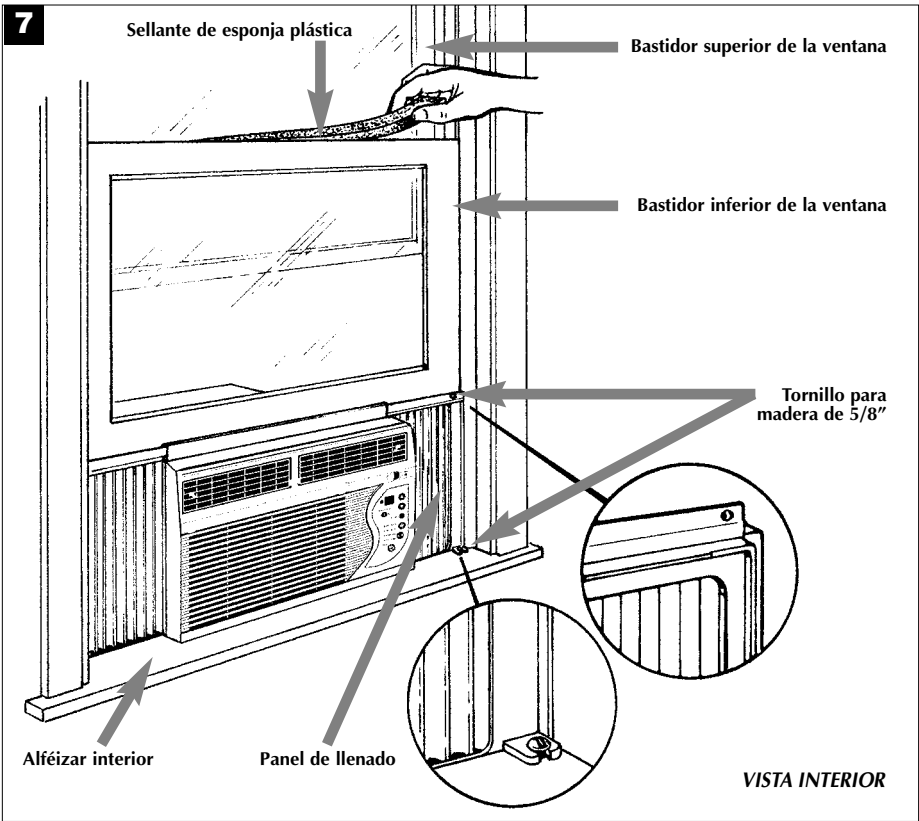
Instalación en un ventana de ancho normal

1. Abra la ventana y marque la línea central. Dependiendo del tamaño de la unidad, acople un soporte nivelador en la línea central de la ventana o 1/8" a la derecha o a la izquierda de la línea central. Los soportes pueden acoplarse a la repisa de la ventana en cualquier dirección para máximo apoyo, toda detrás del quicio de la ventana. Cerciórese de que el gabinete mantenga una inclinación hacia afuera. El acondicionador de aire deberá inclinarse ligeramente hacia el exterior usando la indicación de un nivel de carpintero. Dicha inclinación evitará que el agua entre en la habitación (Fig. 3).
2. Marque una línea a 1 1/4" del borde de la repisa de la ventana y fije el soporte nivelador con tornillos de 1" para madera en la marca a través de los agujeros grandes en el soporte (Fig. 4).
3. Enrosque el perno nivelador en el orificio roscado de 3/8" del soporte nivelador y ajústelo de manera que el perno se encuentre a 1/4" debajo del dintel de la ventana (Fig. 5).
4. Repita los pasos 2 y 3 para instalar un segundo soporte nivelador, si fuera necesario.





Precaución: No perforar un orificio en la bandeja inferior. El diseño de la unidad permite que funcione con aproximadamente 1/2 pulgada de agua en la bandeja inferior.

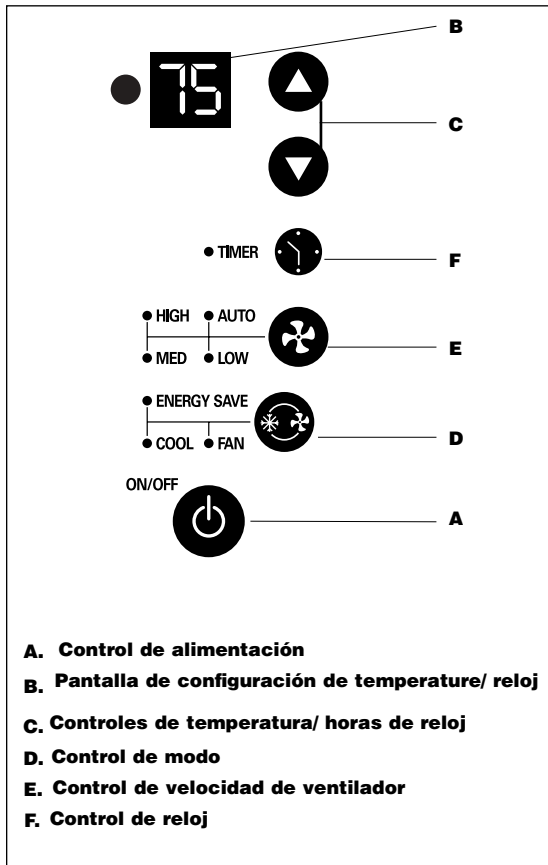


5. Centre el acondicionador de aire en la abertura de la ventana con la barra inferior asentada detrás del quicio de la ventana. Cerciérese de que el gabinete mantenga una inclinación hacia afuera. El acondicionador de aire deberá inclinarse ligeramente hacia el exterior usando la indicación de un nivel de carpintero. Dicha inclinación evitará que el agua entre en la habitación (Fig. 6).
6. Cerrar la ventana hasta que toque la barra superior por detrás del acondicionador de aire. Deslizar los paneles de relleno hacia afuera hasta que toquen las guías del bastidor de la ventana. (No soltar el acondicionador de aire hasta que el bastidor inferior de la ventana esté en su posición final) (Fig. 7).
7. Fijar la parte superior de los paneles de llenado insertando tornillos para madera de 5/8 de pulgada de largo por los huecos de montaje en el bastidor inferior de la ventana (Fig. 7).
8. Fijar la parte inferior de los paneles de llenado insertando tornillos para madera de 5/8 de pulgada de largo en el quicio de la ventana a través de las presillas del panel de relleno (Fig. 7).
9. Cortar el sellador de espuma de plástico del mismo ancho de la ventana e instalarlo entre el bastidor superior y el bastidor inferior de la ventana (Fig. 7).
10. Utilice material de sellar para rellenar pequeñas aberturas.

Instalación en una ventana de ancho mínimo

1. Retirar ambos paneles de llenado del gabinete del acondicionador de aire (Fig. 3).
2. Consultar los pasos 1 a 7 de las instrucciones precedentes
3. Cerrar la ventana hasta que toque la barra superior por detrás de la unidad (Fig. 6).
4. Ajustar el bastidor inferior de la ventana al marco de la ventana (usar clavos de acabado, tornillos de madera o soportes en "L") (Fig. 7).
5. Si se necesita el llenado a ambos lados del acondicionador de aire, cortar un sellador de espuma de plástico del mismo tamaño y llenar ambos lados (Fig. 7).
6. Cortar un sellador de espuma de plástico del mismo ancho de la ventana e instalarlo entre el bastidor superior y el bastidor inferior de la ventana (Fig. 7).
7. Utilice material de sellar para rellenar pequeñas aberturas.

Consultar al distribuidor o importador autorizado en caso de necesitar instrucciones para otro tipo de instalación.



Control de alimentación

El control de alimentación enciende y apaga la unidad.

Pantalla de configuración de temperatura/reloj

Muestra la temperatura fijada cuando la unidad está en funcionamiento y las horas en que se fija el reloj. **LA PANTALLA DE TEMPERATURA SÓLO MUESTRA LA TEMPERATURA FIJADA, NO LA TEMPERATURA REAL DE LA HABITACIÓN.**

Controles de temperatura/hora del reloj

Estos botones se usan para aumentar o reducir la temperatura en incrementos de 1 grado desde 66 hasta 88 grados. Si se presionan los dos botones al mismo tiempo la pantalla cambiará entre Celsius y Fahrenheit. Cuando se fija el reloj, estos botones se usan para cambiar la hora en incrementos de 1 desde 00 a 24.

Control de modo

El control de modo tiene tres posiciones: FAN (ventilación), COOL (enfriamiento), y ENERGY SAVER (ahorro de energía). Una luz verde indicará qué modo se está usando actualmente.

Modo de enfriamiento – La unidad hará circular el aire y lo enfriará.

Modo de Calefacción (Solamente en modelos con calefacción) – La unidad hará circular el aire y lo calefacción.

Características de Seguridad del Calentador - Cuando se apaga el calentador, el ventilador permanece automáticamente encendido en un ajuste de velocidad bajo y funciona durante 60 segundos para eliminar todo el calor residual. La luz LED del ventilador destella hasta que el ventilador se detiene.

Modo de ventilación – La unidad sólo hará circular el aire.

Modo de ahorro de energía – El ventilador pasará de la posición fijada a LO cada vez que el compresor se apague en respuesta al termostato. Cuando el compresor se vuelve a encender, la unidad volverá a la posición de ventilador original.



ATENCIÓN



Los modelos con Frío/Calor o con calor eléctrico han sido diseñados para ser usados como una fuente de calor suplementaria. Son sólo un complemento para los sistemas de calefacción habituales y nunca deben usarse como la fuente primaria de calefacción.

Mecanismo de retraso de tres minutos incorporado.

Si este aparato electrónico no responde a los mandos del control remoto o cojinete táctil, será necesario desenchufarlo cinco segundos y luego volver a enchufar.

Característica de encendido automático:
En caso de falla eléctrica, esta característica permite que la unidad se encienda nuevamente de manera automática cuando se restablece el servicio eléctrico manteniendo ls ajustes más recientes.

Control de velocidad del ventilador

El control de velocidad del ventilador tiene cuatro posiciones:

High (alto), Medium (medio), Low (bajo), y Auto (automático). Estas posiciones se ajustan con el control de velocidad del ventilador; cada vez que se presiona el botón se cambia de posición. Una luz verde indicará la posición usada actualmente.

Cuando se selecciona Auto mientras el acondicionador de aire se encuentra en el modo COOL, las velocidades del ventilador cambiarán automáticamente si cambia la temperatura de la habitación.

Modo de enfriamiento -

- 7 grados o más sobre la temperatura fijada, usará HI FAN.
- 4 - 7 grados por encima de la temperatura fijada, usará MED FAN.
- 4 grados o menos por encima de la temperatura fijada, usará LO FAN.

Modo de Calefacción -

- 7 grados o más menos de la temperatura fijada, usará HI FAN.
- 4 grados o menos debajo de la temperatura fijada, usará LO FAN.

Control del reloj

El temporizador puede hacer que la unidad se prenda o apague.

Para PRENDER la unidad usando el temporizador:

- Presione la tecla del temporizador cuando el suministro de energía esté apagado, la pantalla leerá 00. Ajuste al número deseado de horas antes que SE PRENDA usando las flechas de arriba / abajo.
- La pantalla mostrará el tiempo por horas que faltan para que SE PRENDA.
- Para apagar el temporizador, presione la tecla del temporizador.
- Una luz verde junto al control del temporizador indica que se ha prendido.

Para APAGAR la unidad usando el temporizador.

- Presione la tecla del temporizador cuando el suministro de energía esté prendido, la pantalla leerá 00. Ajuste al número de horas deseadas antes de APAGAR usando las flechas de arriba / abajo. La pantalla irá automáticamente a la temperatura programada después de 10 segundos.
- Para mostrar la cantidad de tiempo hasta que SE APAGUE, presione el botón del temporizador una vez.
- Para APAGAR el temporizador, presione el botón dos veces.
- Una luz verde junto al control del temporizador indica que se ha prendido.

Control Remoto de Acondicionador de Aire

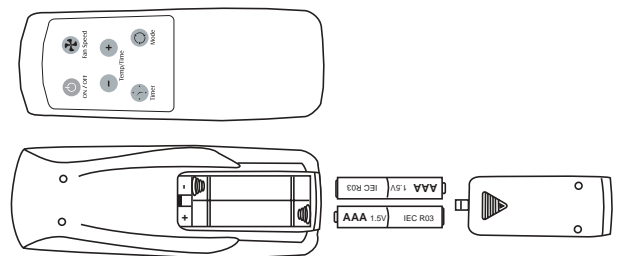
Las funciones trabajan igual que los controles manuales de su acondicionador de aire.

Pilas:

Retire la tapa en la parte trasera del control remoto e inserte las baterías con los polos (+) y (-) en la dirección correcta.

PRECAUCIÓN

- Use solamente pilas AAA o IEC R03 de 1,5V.
- Retire las pilas si el control remoto no va a ser usado durante un mes o más.
- No intente recargar las pilas suministradas.
- Todas las pilas deben ser reemplazadas a un mismo tiempo.
- No incrinere las pilas pues pueden explotar.
- No instale las pilas con la polaridad (+/-) inversa.
- No mezcle pilas alcalinas, standard (carbon-zinc), con pilas recargables (nickel-cadium).
- Mantenga fuera del alcance de los niños pequeños las pilas y otros artículos que puedan ser tragados.
Póngase inmediatamente en contacto con un médico si un niño pequeño se traga un objeto.



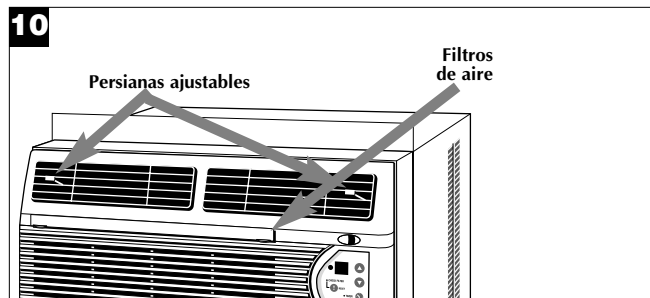
Orientación de la corriente de aire

La unidad viene equipada con rejillas directrices ajustables que permiten dirigir la descarga de la corriente de aire. Las rejillas pueden ajustarse manualmente moviendo las palancas en la dirección deseada (**Fig. 10**).

Limpieza del filtro de aire

CADA DOS SEMANAS: Limpie el filtro.

1. Ponga el unidad apagado.
2. Para retirar el filtro de aire, sujételo de las esquinas superiores y remuévalo hacia arriba y hacia afuera (**Fig. 10**).
3. Lávelo con agua caliente enjabonada, enjuáguelo, sacúdalo y séquelo.
4. Al ponerlo de nuevo en su lugar, asegúrese que el lado frontal quede mirando a usted.
5. Para secar bien el filtro, haga funcionar la unidad durante unos minutos. Recuerde, que sólo un filtro limpio hará funcionar su unidad correctamente y dará siempre el servicio más eficiente.



PRECAUCIÓN



El no mantener limpio el filtro podría resultar en baja circulación del aire. **NUNCA** haga funcionar la unidad sin el filtro ya que puede quedar inutilizable.

Panel de control con Luz de verificación de filtro/reinicializar-

1. Después de 250 horas de uso se encenderá la luz de verificación de filtro.
2. Para retirar el filtro de aire, sujételo de las esquinas superiores y remuévalo hacia arriba y hacia afuera (**Fig. 10**).
3. Lávelo con agua caliente enjabonada, enjuáguelo, sacúdalo y séquelo.
4. Al ponerlo de nuevo en su lugar, asegúrese que el lado frontal quede mirando a usted.
5. Después de limpiar y volver a colocar el filtro, presione el botón Reset (Reinicializar). Este botón volverá a cero el contador y apagará la luz.

El uso y mantenimiento adecuados del acondicionador de air prolongará la vida útil de la unidad.

Se recomienda inspeccionar y limpiar anualmente el serpentín y los pasajes para agua de condensación.

El cliente deberá cubrir los gastos de inspección anual.



PRECAUCIÓN



Antes de limpiar o reparar esta unidad, se recomienda desconectarla del tomacorriente.

Localización y Solución de Averías

Problema	Causa Posible	Soluciones
El acondicionador de aire no funciona	<ul style="list-style-type: none"> • El enchufe mural está desconectado. • Se ha fundido un fusible o se ha disparado el disyuntor. • El acondicionador de aire se apagó y luego se encendió demasiado rápidamente. • El ajuste del termostato es muy bajo para enfriamiento. 	<ul style="list-style-type: none"> ✓ Inserte bien el enchufe en el tomacorriente mural. ✓ Reemplace el fusible con un tipo de fusible con retardo o reponga el disyuntor. ✓ Si el acondicionador de aire está apagado espere 3 minutos antes de volver a encenderlo. ✓ Cambie el termostato a un ajuste más alto para enfriamiento.
El aire proveniente del acondicionador de aire no es suficientemente frío	<ul style="list-style-type: none"> • El control de modo está en la posición 'Fan' (Ventilador). • El termostato está en un ajuste demasiado caliente. • La temperatura de la habitación es inferior a 70°F. 	<ul style="list-style-type: none"> ✓ Coloque el control en un ajuste 'Cool' (Frío). ✓ Coloque el termostato en una temperatura más fría. ✓ No se producirá enfriamiento hasta que la temperatura de la habitación no sea superior a 70°F.
El acondicionador de aire enfría, pero la habitación está demasiado tibia – se forma hielo en las espirales de enfriamiento detrás del panel decorativo delantero	<ul style="list-style-type: none"> • La temperatura exterior es inferior a 70°F. • El filtro de aire está sucio – restricción del aire. 	<ul style="list-style-type: none"> ✓ Para descongelar la espiral, coloque el selector en la posición 'FAN' (Ventilador). Luego coloque el termostato en una posición más caliente. ✓ Limpie el filtro, vea la sección "Limpieza del Filtro del Aire". Para descongelar, coloque el selector en la posición 'Fan' (Ventilador).
El acondicionador de aire enfría, pero la habitación está demasiado tibia – NO se forma hielo en las espirales de enfriamiento detrás del panel decorativo delantero	<ul style="list-style-type: none"> • Filtro de aire sucio – restricción del aire. • El termostato está en un ajuste demasiado caliente. • El selector de velocidad del ventilador está en una posición 'LOW' (Baja). 	<ul style="list-style-type: none"> ✓ Limpie el filtro del aire. Consulte la sección "Limpieza del Filtro del Aire". ✓ Coloque el termostato en un ajuste más frío. ✓ Coloque el selector de velocidad del ventilador en 'HI' (ALTO) para enfriamiento máximo.
Se produce ruido cuando el acondicionador de aire está enfriando	<ul style="list-style-type: none"> • Ruido del movimiento del aire. • Ruido del ventilador al golpear el sistema de extracción de agua y humedad. • Vibración de la ventana – instalación deficiente. 	<ul style="list-style-type: none"> ✓ El sonido del aire moviéndose es normal. Si es demasiado fuerte, gire el selector a un ajuste del ventilador más bajo. ✓ Esto es normal cuando la humedad es alta. Cierre las puertas, ventanas y rejillas de ventilación. ✓ Consulte las instrucciones de instalación – consulte con el instalador.
Goteo de agua dentro del acondicionador de aire cuando está enfriando	<ul style="list-style-type: none"> • Instalación incorrecta. 	<ul style="list-style-type: none"> ✓ Incline ligeramente el acondicionador de aire hacia el exterior para desaguar el agua. Consulte las instrucciones de instalación – verifique con el instalador.
Goteo de agua fuera del acondicionador de aire cuando está enfriando	<ul style="list-style-type: none"> • El acondicionador de aire esta extrayendo gran cantidad de humedad de habitación. 	<ul style="list-style-type: none"> ✓ Esto es normal durante días excesivamente húmedos.

Cómo obtener servicio o piezas bajo la garantía

Nota: Antes de solicitar servicio, lea cuidadosamente este manual de instalación y funcionamiento.

Para los modelos instalados en Norteamérica:

En primer lugar, realice las verificaciones recomendadas en la guía de localización y solución de averías. Luego, si aún así necesita asistencia:

1. Llame a un técnico de servicio autorizado CareCo y proporcione los números de modelo y de serie, la fecha de compra y la naturaleza del problema. El servicio será ofrecido durante las horas normales de trabajo. Póngase en contacto con su distribuidor para obtener la información sobre algún técnico de servicio autorizado si no la tiene.

2. Si su distribuidor no puede darle el nombre de un técnico de servicio o si necesita cualquier otro tipo de asistencia, póngase en contacto con CareCo para obtener esta información.

Puede ponerse en contacto con CareCo por correo electrónico:

customerservice@fedders.com

a través del siguiente número telefónico gratuito:

1-800-332-6658

o puede escribir a:

CareCo, Service Department

415 W. Wabash Ave., P.O. Box 200

Effingham, IL 62401

Para los modelos instalados fuera de Norteamérica:

Para los acondicionadores de aire adquiridos fuera de Norteamérica, el fabricante no ofrece ninguna garantía expresa o implícita. Consulte con su distribuidor local para obtener los términos de la garantía que ofrece el importador en su país.

Fecha del comprobante de compra

Es responsabilidad del consumidor establecer la fecha original de compra para efectos de la garantía. Le recomendamos que guarde la factura, el cheque cancelado o cualquier otro comprobante de pago adecuado para tal fin.

Garantía del acondicionador de aire

(Dentro de los 48 estados contiguos de los Estados Unidos, estado de Hawái, Distrito de Columbia, México, Puerto Rico y Canadá)

Garantía para todas las piezas (cinco años) y mano de obra

A partir de la fecha de compra y durante un período de cinco años, Fedders, mediante sus estaciones de servicio autorizadas, reparará o reemplazará sin costo alguno para el propietario o usuario, cualquier pieza que presente daños de material o mano de obra derivados del uso normal del producto. Es responsabilidad del propietario facilitar el acceso al acondicionador de aire para realizar los servicios de reparación.

Nota: En caso de que se requiera reemplazar una pieza mientras la garantía está vigente, se utilizarán los repuestos de Fedders los cuales continuarán en vigencia solamente durante el resto del período de garantía de la unidad.

Excepciones

La garantía antes indicada no cubre las fallas de funcionamiento causadas por daños que sufra la unidad mientras ésta esté en posesión del usuario (excluyendo los daños causados por defecto o funcionamiento defectuoso), o por la instalación incorrecta, o la utilización indebida de la unidad, incluyendo pero sin limitarse a ello, la negligencia en proporcionar el mantenimiento necesario y adecuado o en seguir las "instrucciones de Instalación y Uso" indicadas por escrito. En caso de utilizarse la unidad para fines comerciales, de negocios, de arriendo u otro uso o aplicación que no sea el uso del consumidor, no otorgamos garantía explícita ni implícita, incluyendo, pero sin limitarse a, toda garantía implícita de negociabilidad o idoneidad para un uso o finalidad particular.

LAS SOLUCIONES EXPUESTAS EN LA GARANTIA ANTERIOR SON EXCLUSIVAS. SE RECHAZA CUALQUIER OTRA GARANTIA YA SEA EXPRESA O IMPLICITA, INCLUYENDO, PERO SIN LIMITARSE A ELLO, TODAS LAS GARANTIAS DE COMERCIABILIDAD O IDONEIDAD PARA UN FIN EN PARTICULAR DURANTE CINCO AÑOS A PARTIR DE LA FECHA DE COMPRA. BAJO NINGUNA CIRCUNSTANCIA FEDDERS SE HARA RESPONSABLE POR NINGUN DAÑO DIRECTO, INDIRECTO O CONSECUENCIAL, SIN IMPORTAR LA CAUSA DE LA ACCION, AUN CUANDO FEDDERS HAYA SIDO ADVERTIDO CON ANTERIORIDAD DE LA POSIBILIDAD DE DICHS DAÑOS. NO SE OFRECE NINGUNA GARANTIA EXPRESA O IMPLICITA A COMPRADORES DESPUES DE LA REVENTA.

Algunos estados no permiten limitar el tiempo de duración de una garantía implícita ni permiten excluir ni limitar los daños incidentales o emergentes, de modo que las limitaciones o exclusiones antes indicadas podrían no aplicarse en su caso. Esta garantía le otorga derechos legales específicos. Usted podría tener también otros derechos que pueden variar de estado a estado.

No se ofrecen garantías para las unidades vendidas fuera de las áreas antes indicadas. Su distribuidor o vendedor final podría proporcionar una garantía para las unidades vendidas fuera de estas áreas.

Cordon électrique avec dispositif de détection d'arc

Le cordon électrique fourni avec ce climatiseur comporte un dispositif de détection d'arc électrique conçu pour couper l'alimentation de l'appareil quand une formation d'arc est détectée. L'arc est le résultat d'une décharge électrique involontaire qui a lieu lorsque des produits ou des fils électriques sont endommagés, détériorés ou mal utilisés. La formation d'arc peut être dangereuse si elle n'est pas détectée.

⚠ AVERTISSEMENT ⚠

- N'enlevez **pas** cette fiche et ne la modifiez pas.
- **Ne** l'utilisez **pas** comme interrupteur.
- **Ne** l'utilisez **pas** à l'extérieur.
- **Ne** poussez **pas** les meubles contre le cordon électrique ou ne les mettez pas sur ce cordon. Ceci peut déclencher le commutateur de test ou endommager le cordon et par conséquent entraîner une formation d'arc.
- N'essayez **pas** de réparer le cordon. S'il faut remplacer le cordon, faites appel à un réparateur autorisé.
- Le dispositif de détection d'arc n'est pas un disjoncteur et il ne faut pas l'utiliser comme tel.
- Le dispositif de détection d'arc contient une carte de circuit imprimé qui ne doit pas être exposée à l'eau.

Réarmement

Si le dispositif de détection d'arc se déclenche, le bouton de réarmement sort.

Suivez ces étapes pour réarmer le dispositif de détection d'arc :

1. Débranchez l'appareil.
2. Appuyez sur le bouton de réarmement.
3. Rebranchez l'appareil.
4. Vérifiez si l'appareil est alimenté en courant.

Tests

Vous devez tester le cordon électrique équipé du dispositif de détection d'arc, une fois par mois ou après chaque orage électrique, ou si l'alimentation du climatiseur a été coupée.

Suivez ces étapes pour tester le dispositif de détection d'arc :

1. Débranchez l'appareil.
2. Appuyez sur le bouton de réarmement.
3. Rebranchez l'appareil.
4. Appuyez sur le bouton d'essai. Un déclenchement de l'appareil devrait avoir lieu et le bouton de réarmement devrait sortir.
5. Appuyez à nouveau sur le bouton de réarmement.

Si ce test ne donne pas le bon résultat, n'utilisez plus le climatiseur et prenez contact avec le service à la clientèle en composant le numéro sans frais suivant :

1-800-332-6658

ou envoyez un courriel à :
customerservice@fedders.com

⚠ Avertissement ⚠

Risque de choc électrique



- Brancher l'appareil uniquement sur une prise de courant électrique reliée à la terre.
- Ne pas utiliser avec cet appareil un câble de rallonge ou un adaptateur de fiche.
- Ne pas faire fonctionner cet appareil lorsque le panneau de façade est enlevé.
- Le non-respect de ces précautions peut entraîner choc électrique, incendie ou blessures.
- Si les paramètres d'alimentation électrique sur la plaque signalétique sont 115 volts et 7,5 A ou plus, il faut que l'appareil soit protégé par son propre fusible ou disjoncteur, et aucun autre appareil ne devrait être branché sur le même circuit d'alimentation. Si la plaque signalétique du climatiseur indique qu'il doit être alimenté sous 230 volts, il faut que l'appareil soit protégé par son propre fusible ou disjoncteur, et aucun autre appareil ne devrait être branché sur le même circuit d'alimentation.
- Il est recommandé qu'un électricien qualifié installe l'appareil conformément aux prescriptions du code national des installations électriques et des codes et règlements locaux applicables.
- Utiliser uniquement des conducteurs en cuivre et dispositifs de protection de calibre et de capacité adéquate.
- Ne pas modifier le cordon d'alimentation ou la fiche de branchement. N'enlever aucune étiquette d'avertissement fixée sur le cordon d'alimentation.

Liaison à la terre – Exigences importantes

- Pour la protection des utilisateurs contre les risques de choc électrique, le climatiseur comporte un cordon d'alimentation muni d'une fiche de branchement à trois broches (liaison à la terre) qu'on doit brancher sur une prise de courant murale à trois alvéoles convenablement reliée à la terre. Pour un modèle dont la demande de courant est de 7,5 A ou moins, utiliser une prise de courant murale reliée à la terre de même configuration que la fiche de branchement.
- Pour un modèle dont la demande de courant est supérieure à 7,5 A, utiliser une prise de courant simple avec liaison à la terre, de même configuration que la fiche de branchement.

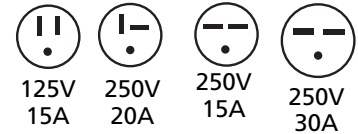
⚠ Avertissement ⚠

Ne pas faire fonctionner ce climatiseur si le circuit d'alimentation n'est pas protégé par un fusible ou disjoncteur chronométré de capacité convenable. Pour les caractéristiques d'alimentation électrique, voir la plaque signalétique de l'appareil.

Calibre Recommandé des conducteurs

(selon le code du bâtiment) :

CAPACITÉ DU FUSIBLE	CALIBRE DES CONDUCTEURS
15 A	N° 14 ou plus gros
20 A	N° 12 ou plus gros
30 A	N° 10 ou plus gros



Mesures de sécurité additionnelles

- Ne pas couper, modifier ou enlever aucun des composants de polystyrène expansé (matériel isolant blanc) placés à l'intérieur du climatiseur.
- Ne jamais remiser ou utiliser d'essence ou autre produit inflammable liquide ou gazeux au voisinage des appareils ou de tout autre appareil ménager. Les vapeurs émises pourraient entraîner un risque d'incendie ou d'explosion.
- N'introduire aucun objet dans la zone de décharge de l'air; ceci pourrait provoquer une détérioration non réparable de l'appareil.
- Ne verser aucun liquide sur le climatiseur; ceci pourrait entraîner une anomalie de fonctionnement. Pour le nettoyage de l'appareil, utiliser un chiffon humide.
- Lors du nettoyage du climatiseur, éviter d'employer un solvant énergétique.
- Pour éviter une obstruction et un échauffement excessif, nettoyer le filtre du climatiseur à intervalles de deux semaines.
- Veiller à ne pas obstruer les entrées d'air du climatiseur; ceci provoquerait un échauffement excessif et le déclenchement des dispositifs de sécurité qui provoquent l'arrêt de l'appareil.
- Ne pas bloquer la circulation de l'air vers les claires-voies extérieures de la caisse.
- Ne pas bloquer la circulation de l'air au voisinage de l'appareil, à l'intérieur (stores, rideaux, meubles), ou à l'extérieur (arbustes, enceintes ou autre bâtiment).
- Ne pas faire fonctionner le climatiseur lorsque la housse de protection est en place. Ceci pourrait faire subir des dommages mécaniques au climatiseur.

Outils nécessaires

■ Tournevis à lame

■ Règle

■ Niveau

■ Crayon

Caractéristiques des fenêtres

- Le climatiseur est préparé à l'usine en vue d'un montage dans des fenêtres à guillotine standard (le climatiseur ne peut pas être monté dans d'autres types de fenêtre sans modification, prière de consulter un technicien de montage compétent).
 - Faire la pose du climatiseur dans une fenêtre où il y a un dégagement suffisant pour assurer un apport d'air abondant à l'appareil.
 - Toutes les pièces de soutien doivent être fixées solidement à des surfaces fermes en bois, maçonnerie ou métal.
- **N'introduisez pas d'objets dans la bouche de aération. Cela pourrait endommager gravement votre unité.**
 - **Ne versez pas de liquides sur l'unité, puisque cela pourrait provoquer un surchauffage déclenchant ainsi l'interrupteur de sécurité qui fera que l'unité s'éteint.**
 - **Nettoyez régulièrement le filtre de votre unité pour éviter des surchauffages provoqués par blocage d'air.**

Dimensions de l'appareil et de la fenêtre

- Si le boîtier du climatiseur est d'une largeur de 20 po, il convient aux fenêtres dont l'ouverture est d'une largeur de 23 7/8 à 39 po. La hauteur d'ouverture minimum est de 12 3/4 po à partir du bas du châssis à l'appui. Le retrait des deux panneaux de remplissage permet la pose dans des fenêtres dont l'ouverture est d'une largeur minimum de 20 1/4 po. Cette taille de climatiseur requiert une fixation de nivellement (*Fig. 1*).
- Si le boîtier du climatiseur est d'une largeur de 23 3/4 po, il convient aux fenêtres dont l'ouverture est d'une largeur de 27 5/8 à 39 po. La hauteur d'ouverture minimum est de 16 po à partir du bas du châssis à l'appui. Le retrait des deux panneaux de remplissage permet la pose dans des fenêtres dont l'ouverture est d'une largeur minimum de 24 po. Cette taille de climatiseur requiert deux fixations de nivellement (*Fig. 2*).

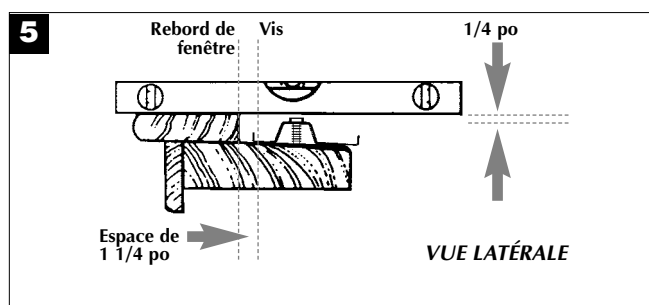
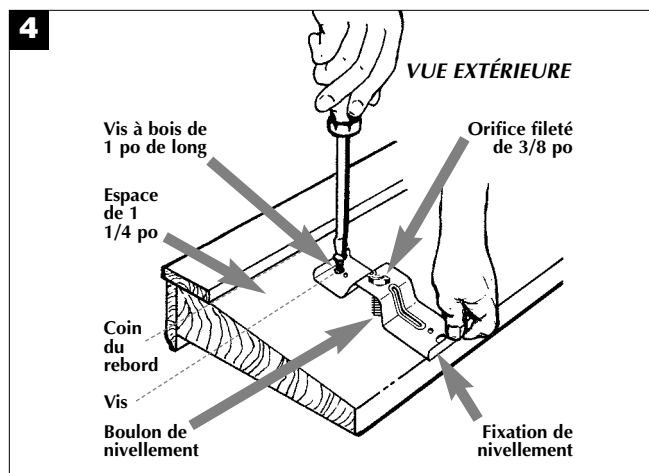
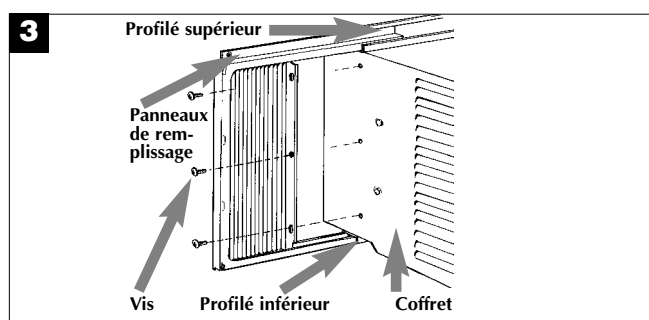
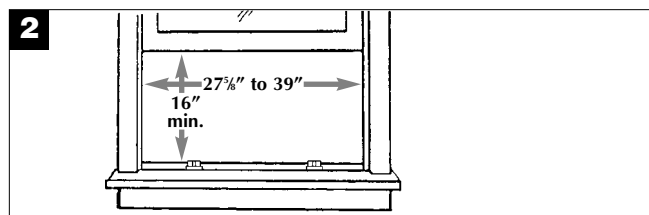
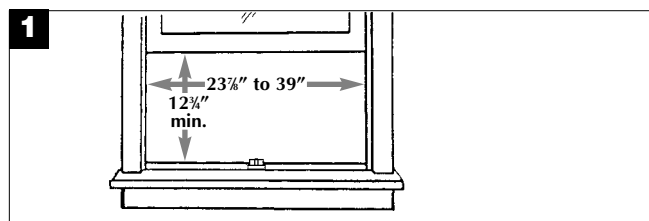
Fixation des panneaux de remplissage

Sur certains modèles...

- Fixer les panneaux de remplissage aux avant trous du coffret à l'aide des vis fournies (*Fig. 3*).

Pose dans une fenêtre de largeur normale

- Ouvrez et marquez la ligne centrale de la fenêtre. Selon la taille de votre climatiseur, attachez une fixation de nivellement sur la ligne centrale de la fenêtre ou une fixation de 8 po à droite de la ligne centrale et une autre fixation de 8 po sur la gauche de la ligne. Les fixations doivent être attachées au rebord de la fenêtre dans n'importe quelle direction pour un support maximum, selon la profondeur de la fenêtre.
- Marquez la ligne à 1 1/4 po à partir du coin du rebord de la fenêtre et attachez la fixation de nivellement à l'aide de vis à bois de 1 po au point marqué, à travers les grands orifices de la fixation (*Fig. 4*).
- Vissez le boulon de nivellement dans l'orifice fileté de 3/8 po de la fixation de nivellement et ajustez le boulon de façon à ce qu'il se trouve 1/4 po au-dessous du niveau supérieur du rebord de la fenêtre (*Fig. 5*).
- Répétez les étapes 2 et 3 pour la seconde fixation de nivellement, si nécessaire.



INSTALLATION

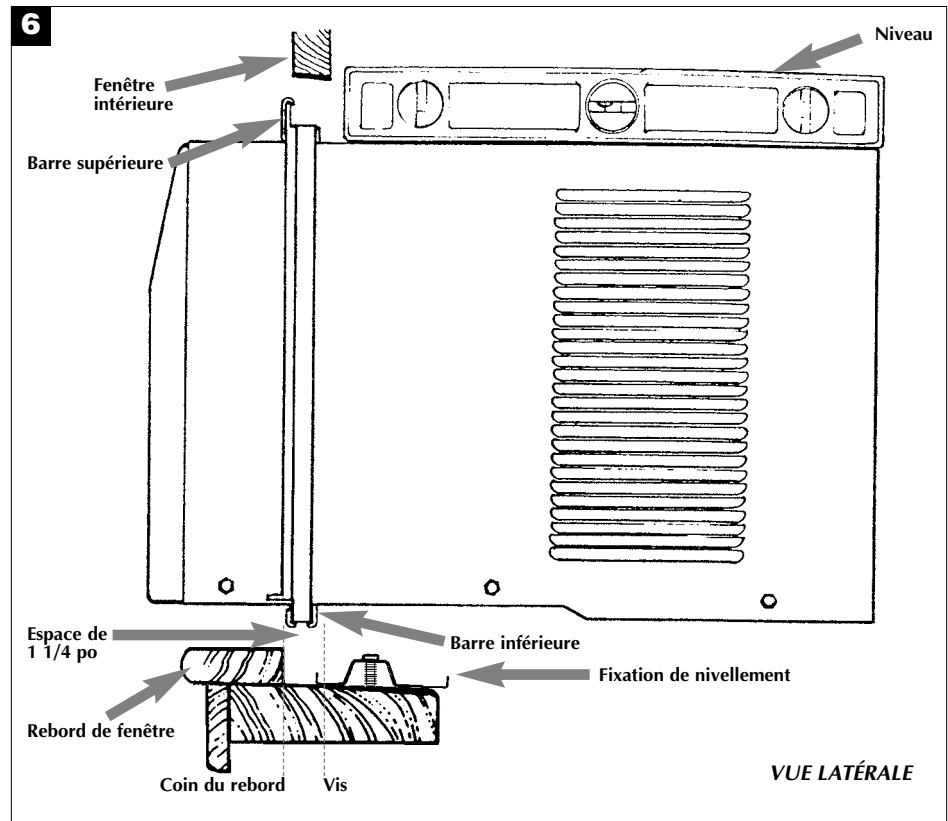
INSTALLATION
DANS UNE FENÊTRE

- Centrer le climatiseur dans l'ouverture de la fenêtre, le profilé inférieur reposant derrière le rebord de la fenêtre. S'assurer que le boîtier demeure incliné vers l'extérieur. Le climatiseur doit pencher légèrement à l'extérieur vers le bas comme indiqué par un fécalage d'une demi bulle sur un niveau à bulle. Cette inclinaison vers l'extérieur empêche l'eau de pénétrer dans la pièce (Fig. 6).
- Fermer la fenêtre jusqu'à ce qu'elle vienne se poser derrière le profilé supérieur du climatiseur. Faire glisser les panneaux de remplissage vers l'extérieur jusqu'à ce qu'ils touchent les dormant latéraux de la fenêtre. (Ne pas cesser de tenir le climatiseur jusqu'à ce que la fenêtre intérieure soit en position finale) (Fig. 7).
- Fixer la partie supérieure des panneaux de remplissage en enfonçant des vis à bois de 5/8 po de long à travers les trous de montage supérieurs dans la fenêtre intérieure (Fig. 7).
- Fixer le bas des panneaux de remplissage en enfonçant des vis à bois de 5/8 po de long dans le rebord de la fenêtre à travers les languettes des panneaux de remplissage (Fig. 7).
- Couper le joint de mousse à la largeur de la fenêtre et poser entre la fenêtre extérieure et la fenêtre intérieure (Fig. 7).
- Utiliser un agent de scellement pour boucher toute us ouvertures mineure.

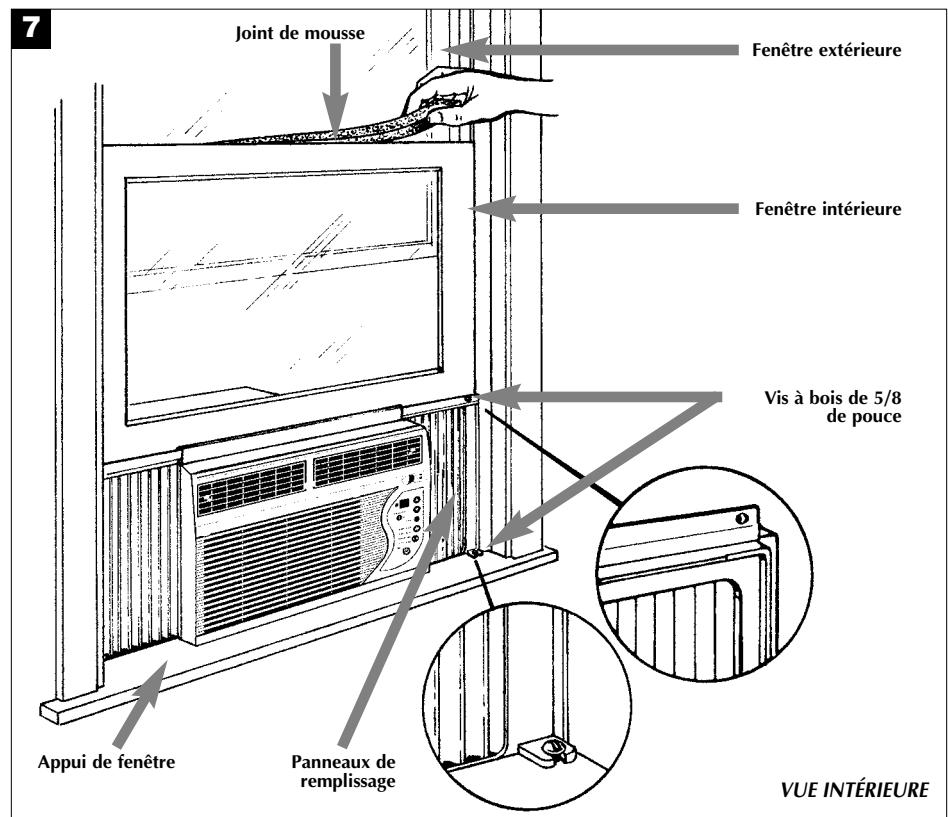
Pose dans une fenêtre de largeur minimum

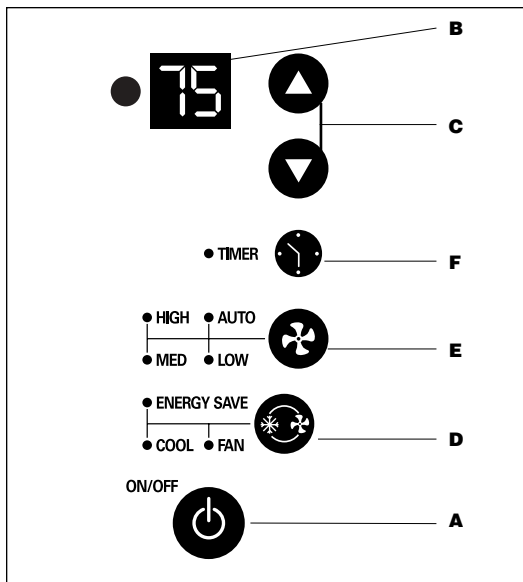
- Retirer les deux panneaux de remplissage du boîtier du climatiseur (Fig. 3).
- Se reporter aux étapes 1 à 7 des instructions qui précèdent.
- Fermer la fenêtre jusqu'à ce qu'elle vienne se poser derrière le profilé supérieur (Fig. 6).
- Fixer la fenêtre intérieure au cadre de la fenêtre (à l'aide de clous de finition, de vis à bois ou de supports en "L") (Fig. 7).
- Si le remplissage est nécessaire sur les côtés du climatiseur, couper le joint de mousse à la taille appropriée et remplir les deux côtés (Fig. 7).
- Couper le joint de mousse à la largeur de la fenêtre et poser entre la fenêtre extérieure et la fenêtre intérieure (Fig. 7).
- Utiliser un agent de scellement pour boucher toute us ouvertures mineure.

Prière de consulter un importateur ou vendeur agréé pour instructions de montage alternatif.



Remarque: Ne pas percer de trou dans la cuvette inférieure. L'appareil est conçu de manière à fonctionner avec environ 1/2 po d'eau dans le fond de la cuvette.





- A. Commande marche/arrêt**
- B. Affichage de la température et du nombre d'heures**
- C. Commandes de la température et du nombre d'heures**
- D. Commande du mode**
- E. Commande de la vitesse de ventilation**
- F. Commande de la minuterie**

ATTENTION

Les modèles avec modes Chauffage/ Refroidissement et ceux avec chauffage électrique sont conçus seulement pour fournir un chauffage d'appoint. Ils servent à fournir un supplément de chaleur aux systèmes de chauffage ordinaires; ils ne sont pas prévus pour être des sources de chaleur principales.

Commande marche/arrêt

Cette commande permet la mise en marche et l'arrêt de l'appareil.

Affichage de la température et du nombre d'heures

Affiche la température de réglage lorsque l'appareil est en marche et le nombre d'heures si

la minuterie est utilisée. *L'AFFICHAGE DE LA TEMPÉRATURE INDIQUE LA TEMPÉRATURE DE RÉGLAGE ET NON PAS LA TEMPÉRATURE RÉELLE DE LA PIÈCE.*

Commandes de la température et du nombre d'heures

Ces boutons servent à augmenter ou abaisser la température de réglage par échelon de 1 degré, de 66 à 88 degrés. Si vous appuyez sur les deux boutons en même temps, l'affichage va passer de Celsius à Fahrenheit. Lors du réglage de la minuterie, ces boutons servent à changer le nombre d'heures par échelon d'1 heure, de 00 à 24.

Commande du mode

La commande du mode comporte trois positions: FAN (VENTILATION), COOL (REFROIDISSEMENT) et ENERGY SAVER (ÉCONOMIE D'ÉNERGIE). Un voyant vert indique le mode utilisé.

Mode Cool – L'appareil fait circuler l'air et le refroidit.

Mode Heat (Modèles chauffants uniquement)– L'appareil fait circuler l'air et se réchauffer.

Caractéristiques de sécurité du dispositif de chauffage- Lorsque le chauffage est mis à l'arrêt, le ventilateur reste automatiquement en marche, en vitesse basse pendant 60 secondes, afin d'éliminer toute chaleur résiduelle. Entre temps, le témoin de vitesse basse clignote jusqu'à l'arrêt complet du ventilateur.

Mode Fan – L'appareil fait circuler l'air uniquement.

Mode Energy Saver – Le ventilateur passera de la vitesse réglée à LO (faible) chaque fois que le compresseur s'arrête en réponse à une commande venant du thermostat. Quand le compresseur se remet en marche, le ventilateur se règle automatiquement à nouveau sur la vitesse préréglée.

Commande de la vitesse de ventilation

Cette commande a quatre positions: High (élevée), Medium (moyenne), Low (faible) et Auto (automatique). Le réglage de la vitesse se fait à l'aide de la commande de la vitesse de ventilation. Chaque fois que vous appuyez sur le bouton, la vitesse change. Un voyant vert indique la vitesse utilisée.

Lorsque la fonction Auto est sélectionnée alors que le mode du climatiseur est sur COOL, la vitesse de ventilation changera automatiquement à mesure que la température de la pièce change.

Mode Cool –

- À 7 degrés ou plus au-dessus de la température réglée, l'appareil utilisera la vitesse de ventilation élevée ou HI FAN.
- Entre 4 et 7 degrés au-dessus de la température réglée, l'appareil utilisera la vitesse de ventilation moyenne ou MED FAN.
- À 4 degrés ou moins au-dessus de la température réglée, l'appareil utilisera la vitesse de ventilation faible ou LO FAN.

Mode Heat –

- À 7 degrés ou plus au-dessous de la température réglée, l'appareil utilisera la vitesse de ventilation élevée ou HI FAN.
- À 4 degrés ou moins au-dessous de la température réglée, l'appareil utilisera la vitesse de ventilation faible ou LO FAN.

Commande de la minuterie

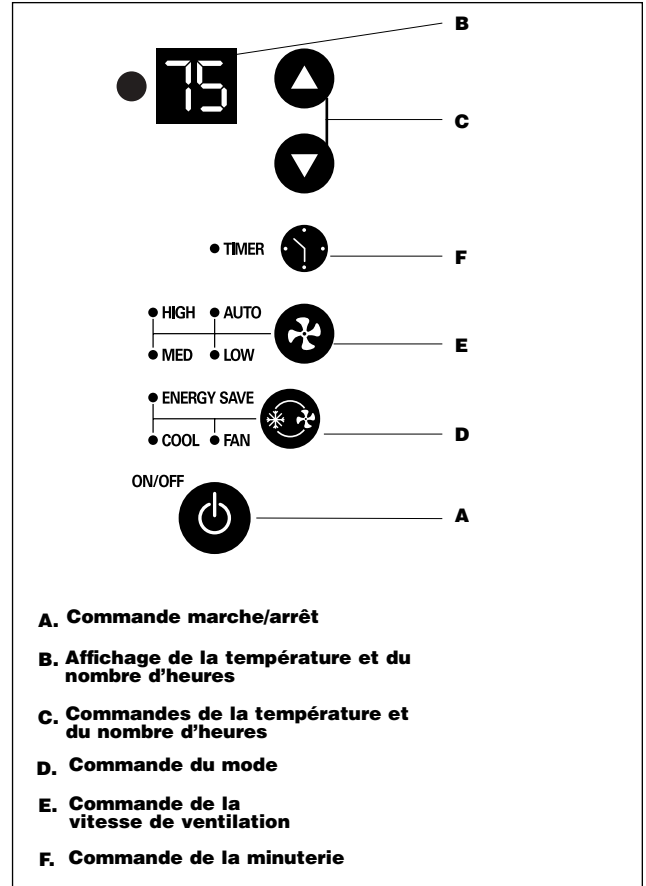
On peut régler la minuterie afin de mettre l'appareil en marche ou de l'arrêter.

Pour mettre l'appareil en marche au moyen de la minuterie, alors que l'appareil

- Est hors tension, enfoncer la touche de la minuterie; l'afficheur indiquera 00. Choisir le nombre d'heures qui doivent s'écouler avant la MISE EN MARCHÉ de l'appareil au moyen des flèches vers le haut ou vers le bas.
- L'afficheur indiquera le nombre d'heures qui restent avant la MISE EN MARCHÉ.
- Pour arrêter la minuterie, enfoncer de nouveau la touche correspondante.
- Un voyant vert situé à côté de la commande de la minuterie s'allume pour indiquer que cette dernière est réglée.

Pour ARRÊTER l'appareil au moyen de la minuterie,

- Alors que l'appareil est sous tension, enfoncer la touche de la minuterie; l'afficheur indiquera 00. Choisir le nombre d'heures qui doivent s'écouler avant l'ARRÊT de l'appareil au moyen des flèches vers le haut ou vers le bas. L'afficheur reviendra automatiquement à la température choisie après 10 secondes.
- Pour afficher le nombre d'heures qui restent avant l'ARRÊT, appuyer une seule fois sur la touche de la minuterie.
- Pour ARRÊTER la minuterie, appuyer deux fois sur cette touche.
- Un voyant vert situé à côté de la commande de minuterie s'allume pour indiquer que cette dernière est réglée.



A. Commande marche/arrêt

B. Affichage de la température et du nombre d'heures

C. Commandes de la température et du nombre d'heures

D. Commande du mode

E. Commande de la vitesse de ventilation

F. Commande de la minuterie

Temporisation intégrée de trois minutes.

Lorsque cet appareil électrique ne répond ni au bloc à effleurement, ni aux commandes à distance, le débrancher de sa prise, attendre cinq secondes, puis le rebrancher.

Caractéristique de redémarrage automatique:

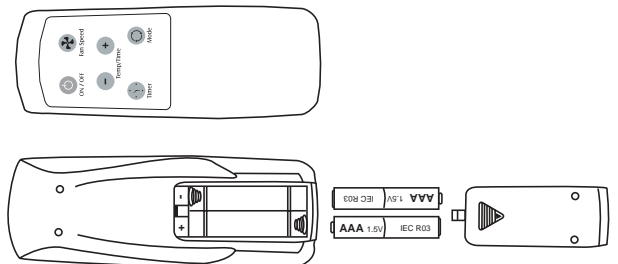
Si une panne d'électricité survient, cette caractéristique permet à l'appareil de reprendre son fonctionnement, une fois l'électricité rétablie, en retenant les réglages les plus récents.

Télécommande de Climatiseur

Les commandes fonctionnent de la même façon que les commandes à touche de votre climatiseur. Piles: Enlevez le couvercle à l'arrière de la télécommande à distance et insérez les piles, leurs bornes (+) et (-) se dirigeant dans la bonne direction.

ATTENTION

- Utilisez seulement de piles AAA ou IEC R03 de 1,5 volts.
- Retirez les piles si la télécommande n'est pas utilisée pendant plus d'un mois.
- N'essayez pas de recharger les piles fournies.
- Toutes les piles doivent être remplacées en même temps.
- Ne jetez pas les piles dans un feu, elles pourraient exploser.
- Lors de l'installation de la pile, veiller à respecter la polarité (+/-).
- Veiller à ce qu'un jeune enfant ne puisse avoir accès aux piles ou à d'autres petits objets qu'il pourrait avaler. Contacter immédiatement un médecin si un jeune enfant avale un objet de petite taille.



Orientation de l'air

(Modèle avec déflecteurs réglables)

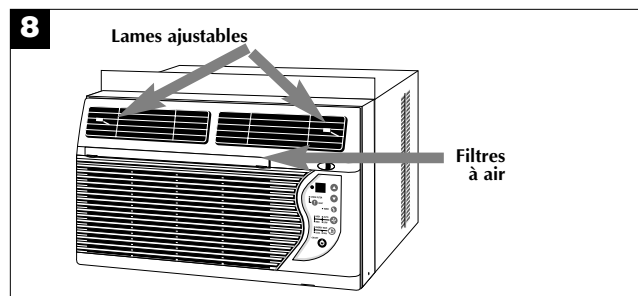
Unité est doté de déflecteurs réglables qui dirigent l'air vers la droite ou la gauche. Réglez les déflecteurs manuellement en déplaçant les leviers des déflecteurs selon l'orientation de l'air désiré (Fig. 8).

Nettoyage du filtre à air

TOUTES LES DEUX SEMAINES: Nettoyez le filtre.

1. Tourner la commande principale à la position d'arrêt.
2. Enlever le filtre à air en saisissant les coins supérieurs et en le tirant vers le haut et l'extérieur de l'appareil (Fig. 8).
3. Lavez le filtre à l'eau chaude savonnée, rincez et secouez pour sécher.
4. Remettre le filtre en place, le devant du filtre dirigé vers soi.
5. Faites fonctionner l'appareil pendant quelques minutes pour bien sécher le filtre. N'oubliez pas que seul un filtre propre est efficace et permet un rendement maximum, quelque soit le réglage.

La durée de vie de votre conditionneur d'air est prolongée par un usage et un entretien adéquats. Il est recommandé d'effectuer annuellement une inspection et un nettoyage des serpentins et des conduites d'eau de condensation. Les coûts associés à cet entretien annuel sont aux frais de l'acheteur.



⚠ PRÉCAUTION ⚠

L'omission de garder le filtre à air propre causera une mauvaise circulation d'air. NE PAS faire fonctionner l'appareil sans filtre, ce qui peut mettre l'appareil hors service.

Guide de diagnostic

Symptôme	Causes possibles	Solutions
Le climatiseur ne fonctionne pas	<ul style="list-style-type: none"> • Fiche de branchement débranchée. • Fusible grillé ou disjoncteur ouvert. • Commutateur d'alimentation à la position d'ARRÊT. • Arrêt accidentel de l'appareil lorsqu'on a fait tourner le bouton du thermostat vers la température élevée et qu'on l'a immédiatement ramené vers la température basse. • Processus trop rapide d'arrêt/remise en marche. • Refroidissement pas possible pour la température sélectionnée par le thermostat. 	<ul style="list-style-type: none"> ✓ Enfoncer fermement la fiche dans la prise de courant murale. ✓ Remplacer le fusible par un fusible temporisé, ou réarmer le disjoncteur. ✓ Placer le commutateur à la position de ON/MARCHE. ✓ Attendre environ 3 minutes. Écouter le son de mise en marche du compresseur. ✓ Après un arrêt du climatiseur, attendre 3 minutes avant la remise en marche. ✓ Modifier le réglage du thermostat pour obtenir un refroidissement.
L'air rejeté par l'appareil n'est pas suffisamment froid	<ul style="list-style-type: none"> • Bouton de sélection à la position FAN/VENTILATION. • Température trop élevée sélectionnée par le thermostat. • Température de la pièce inférieure à 21 °C (70 °F). 	<ul style="list-style-type: none"> ✓ Placer le bouton de sélection à la position COOL/ REFROIDISSEMENT. ✓ Sélectionner une température plus basse avec le thermostat. ✓ Un refroidissement ne peut pas se produire avant que la température de la pièce ne s'élève à plus de 21 °C (70 °F).
L'appareil produit un refroidissement, mais la température dans la pièce demeure trop élevée – formation de glace sur l'échangeur de chaleur, derrière le panneau de façade décoratif	<ul style="list-style-type: none"> • Température à l'extérieur inférieure à 21 °C (70 °F). • Filtre encrassé – bloque la circulation de l'air. • Le thermostat sélectionne une température trop basse pour le refroidissement nocturne. 	<ul style="list-style-type: none"> ✓ Pour dégivrer l'échangeur de chaleur, placer le bouton de sélection à la position FAN/VENTILATION. Sélectionner ensuite une température plus élevée avec le thermostat. ✓ Nettoyer le filtre. Voir la section «Nettoyage du filtre à air.» Pour le dégivrage, sélectionner la position FAN/VENTILATION. ✓ Pour le dégivrage de l'échangeur de chaleur, sélectionner la position FAN/VENTILATION. Ensuite, sélectionner une position normale sur le thermostat.
L'appareil produit un refroidissement, mais la température dans la pièce demeure trop élevée – PAS de formation de glace sur l'échangeur de chaleur, derrière le panneau de façade décoratif	<ul style="list-style-type: none"> • Filtre encrassé – bloque la circulation de l'air • Thermostat réglé pour une température trop élevée • Vitesse LOW/BASSE sélectionnée pour le ventilateur 	<ul style="list-style-type: none"> ✓ Nettoyer le filtre. Voir la section «Nettoyage du filtre à air. ✓ Sélectionner une plus basse température avec le thermostat. ✓ Sélectionner la vitesse HIGH/ÉLEVÉE pour le ventilateur, pour un refroidissement maximum.
Émission de bruits durant le fonctionnement au mode de refroidissement	<ul style="list-style-type: none"> • Son dû à la circulation de l'air • Son du ventilateur heurtant le système d'évacuation de l'humidité • Vibration de la fenêtre – installation médiocre 	<ul style="list-style-type: none"> ✓ Il est normal qu'on perçoive le son de circulation de l'air. S'il est trop élevé, sélectionner une plus basse vitesse pour le ventilateur. ✓ Ceci est normal lorsque l'humidité est élevée. Fermer les portes, les fenêtres et les bouches d'entrée d'air. ✓ Voir les instructions d'installation – Consulter l'installateur.
Égouttement d'eau à l'intérieur lors de l'utilisation au mode de refroidissement	<ul style="list-style-type: none"> • Installation incorrecte 	<ul style="list-style-type: none"> ✓ Incliner légèrement le climatiseur vers l'extérieur pour permettre l'écoulement de l'eau. Voir les instructions d'installation – Consulter l'installateur.
Égouttement d'eau à l'extérieur lors de l'utilisation au mode de refroidissement	<ul style="list-style-type: none"> • Extraction d'une grande quantité d'humidité dans la pièce par l'appareil. 	<ul style="list-style-type: none"> ✓ Ceci est normal lorsque l'atmosphère est très humide.

Comment obtenir un service après-vente ou des pièces sous garantie?

Remarque : Avant d'appeler le service après-vente, lisez soigneusement ce manuel d'installation et d'utilisation.

Pour les modèles installés en Amérique du Nord :

Effectuez d'abord les vérifications recommandées dans le guide de dépannage. Puis, si vous désirez encore une aide :

1. Appelez le service après-vente autorisé CareCo et donnez les numéros de modèle et de série, la date d'achat et la nature du problème. Le service après-vente vous sera fourni pendant les heures normales de travail. Contactez votre détaillant pour obtenir le nom du service après-vente autorisé si vous ne le connaissez pas.

2. Si votre détaillant ne peut pas vous donner le nom du service après-vente ou si vous désirez une autre sorte d'aide, contactez CareCo pour obtenir ce nom.

Vous pouvez contacter CareCo par courriel :

customerservice@fedders.com

ou en appelant le numéro sans frais suivant :

1 800 332-6658

ou en écrivant à :

CareCo, Service Department

415 W. Wabash Ave., P.O. Box 200

Effingham, IL 62401

Pour les modèles installés en dehors de l'Amérique du Nord :

Pour les climatiseurs individuels achetés pour une utilisation hors de l'Amérique du Nord, le fabricant ne fournit aucune garantie explicite ou implicite. Consultez votre détaillant local pour obtenir les conditions de la garantie fournie par l'importateur dans votre pays.

Preuve de date d'achat

Le consommateur est responsable de la fourniture de la preuve de la date originale d'achat pour fins de garantie. Nous vous recommandons de conserver à cet usage la facture, le chèque annulé ou toute autre preuve de paiement appropriée.

Lors du retour de l'électricité, le mode minuterie peut devoir être réarmé s'il est utilisé.

Garantie du climatiseur

(Applicable dans les 48 États-Unis limitrophes, l'état d'Hawaï, le District de Columbia, Mexico, à Porto-Rico, au Canada)

Garantie complète (cinq ans) sur les pièces et la main d'oeuvre

Pour une période de cinq ans suivant la date d'achat par l'acheteur original, Fedders s'engage, par le biais de ses postes de service agréés et sans aucun frais de la part de l'acheteur ou de tout utilisateur subséquent, à réparer ou remplacer toute pièce défectueuse dans la matière ou la fabrication dans des conditions normales d'utilisation. Un accès rapide au conditionneur d'air pour en permettre l'entretien est la responsabilité du propriétaire.

Remarque: Dans le cas où tout remplacement de pièces est requis dans les limites de temps de cette garantie, les pièces de rechange de Fedders sont usagées et ne sont garanties que pour la période restante de la garantie originale.

Exceptions

La garantie susmentionnée ne couvre pas les défaillances causées par des dommages subis par l'appareil tant qu'il est en votre possession (autres que les dommages dus à un défaut ou à un dérèglement), par son installation incorrecte ou par une utilisation déraisonnable de l'appareil, y compris, entre autres, l'absence d'entretien régulier et nécessaire ou le non-respect des instructions écrites d'installation et d'utilisation. Si l'appareil est utilisé à des fins commerciales, de location ou autres que domestiques, nous n'offrons aucune garantie expresse ou tacite, y compris, entre autres, des garanties tacites de qualité marchande ou d'adaptation à un usage ou objet particulier.

LES RECOURS STIPULÉS DANS LA GARANTIE EXPRESSE SUSMENTIONNÉE REPRÉSENTENT LES SEULS RECOURS EXCLUSIFS DISPONIBLES. IL N'EXISTE AUCUNE AUTRE GARANTIE EXPRESSE. TOUTES LES GARANTIES IMPLICITES, Y COMPRIS À TITRE NON LIMITATIF TOUTES GARANTIES IMPLICITES DE QUALITÉ LOYALE ET MARCHANDE ET D'UTILITÉ PARTICULIÈRE, SONT LIMITÉES À CINQ ANS À PARTIR DE LA DATE DE L'ACHAT INITIAL. FEDDERS NE SAURAIT EN AUCUN CAS ÊTRE TENU RESPONSABLE POUR LES DOMMAGES INDIRECTS, SECONDAIRES OU ACCESSOIRES, SANS ÉGARD À LA CAUSE, MÊME AU CAS OÙ FEDDERS AURAIT ÉTÉ PRÉVENU DE LA POSSIBILITÉ DE TELS DOMMAGES. AUCUNE GARANTIE, EXPRESSE OU IMPLICITE, N'EST OFFERTE À UN ACHETEUR QUELCONQUE EN CAS DE REVENTE.

Certains états n'autorisent pas les limitations de durée des garanties tacites, ni les exclusions ou limitations frappant les dommages accessoires ou indirects. Il se peut donc que les exclusions ou limitations susmentionnées ne vous soient pas opposables. La présente garantie vous confère des droits précis; vous pouvez également jouir d'autres droits qui varient d'un état à l'autre.

Les appareils vendus en dehors des régions susmentionnées ne sont couverts par aucune garantie. Il se peut que votre distributeur ou revendeur vous offre une garantie si vous résidez en dehors de ces régions.



Features and specifications subject to change without notice.
Las características y especificaciones están sujetas a cambio sin previo aviso.
Les caractéristiques et spécifications sont sujettes à modifications sans préavis.

23-23-0321N-011